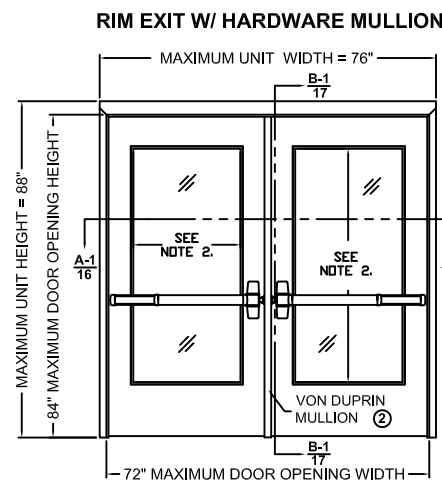
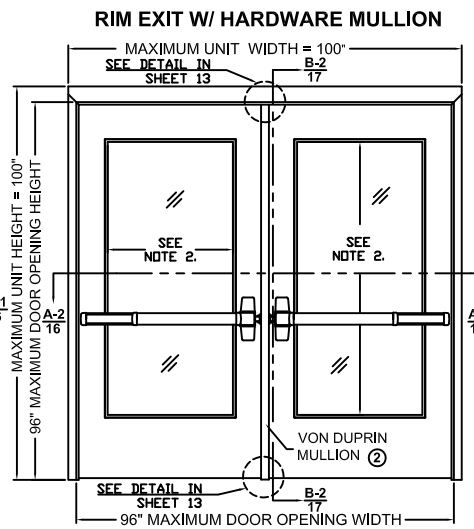


REVISIONS

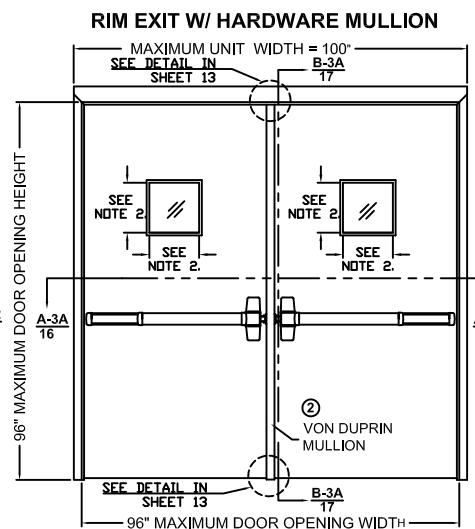
LTR	DESCRIPTION	DATE	APPROVED
A	APPROVAL DWG	YMF 05/20/07	
G	REVISED DWG	YMF 04/08/10	
H	REVISED NAME	JPD 11/01/13	
J	REVISED DWG	JPD 02/01/15	
K	REVISED DWG	JPD 06/30/15	
L	ENGINEER CHANGE	LMS 12/01/16	
M	REVISED DWG	JPD 07/18/18	



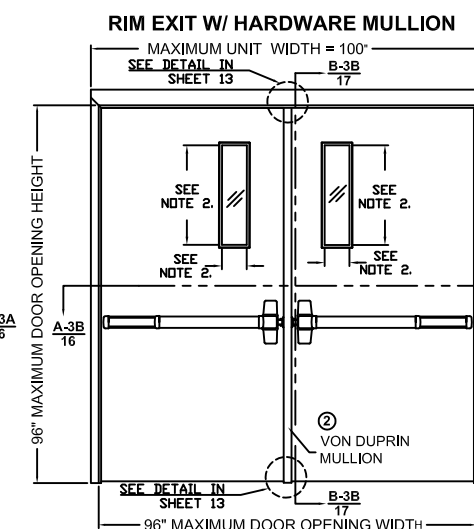
CONFIG.	DESIGN PRESSURE RATING, PSF	WHERE WATER INFILTRATION REQUIREMENT IS NEEDED	WHERE WATER INFILTRATION REQUIREMENT IS NOT NEEDED
1	±60	SEE TABLE 3.1 ON SHT. 5	SEE TABLES 4.1 ON SHT 7 & 4.2 ON SHT. 8



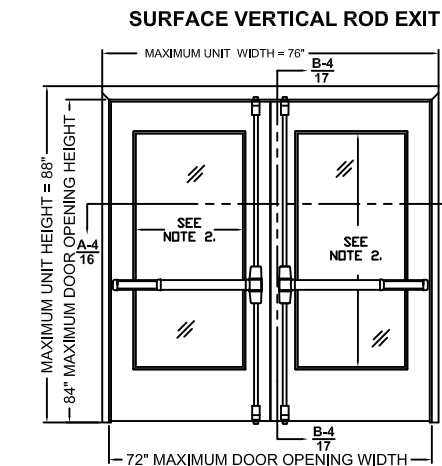
CONFIG.	DESIGN PRESSURE RATING, PSF	WHERE WATER INFILTRATION REQUIREMENT IS NEEDED	WHERE WATER INFILTRATION REQUIREMENT IS NOT NEEDED
2	±50	SEE TABLE 3.1 ON SHT. 5	SEE TABLES 4.1 ON SHT 7 & 4.2 ON SHT. 8



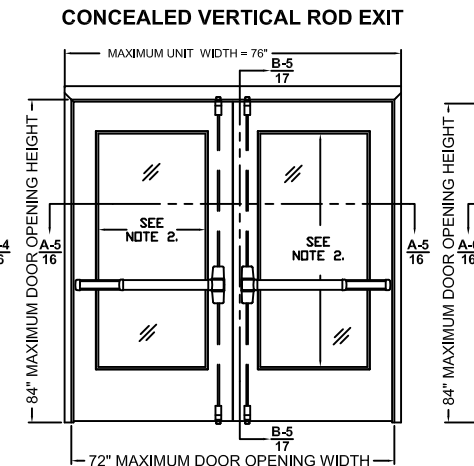
CONFIG.	DESIGN PRESSURE RATING, PSF	WHERE WATER INFILTRATION REQUIREMENT IS NEEDED	WHERE WATER INFILTRATION REQUIREMENT IS NOT NEEDED
3A	±75	SEE TABLE 3.1 ON SHT. 5	SEE TABLES 4.1 ON SHT 7 & 4.2 ON SHT. 8



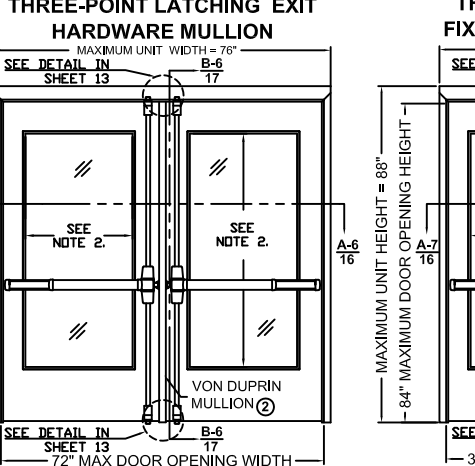
CONFIG.	DESIGN PRESSURE RATING, PSF	WHERE WATER INFILTRATION REQUIREMENT IS NEEDED	WHERE WATER INFILTRATION REQUIREMENT IS NOT NEEDED
3B	±75	SEE TABLE 3.1 ON SHT. 5	SEE TABLES 4.1 ON SHT 7 & 4.2 ON SHT. 8



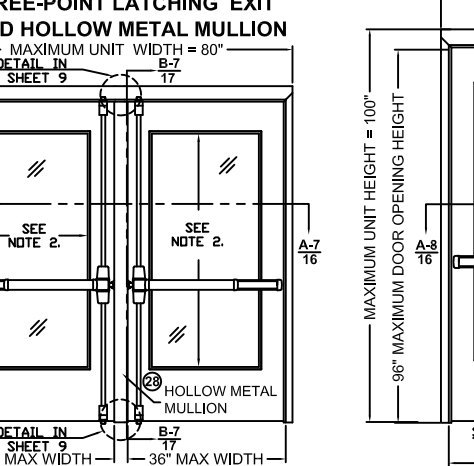
CONFIG.	DESIGN PRESSURE RATING, PSF	WHERE WATER INFILTRATION REQUIREMENT IS NEEDED	WHERE WATER INFILTRATION REQUIREMENT IS NOT NEEDED
4	±60	SEE TABLE 3.1 ON SHT. 5	SEE TABLES 4.1 ON SHT 7 & 4.2 ON SHT. 8



CONFIG.	DESIGN PRESSURE RATING, PSF	WHERE WATER INFILTRATION REQUIREMENT IS NEEDED	WHERE WATER INFILTRATION REQUIREMENT IS NOT NEEDED
5	±60	SEE TABLE 3.1 ON SHT. 5	SEE TABLES 4.1 ON SHT 7 & 4.2 ON SHT. 8

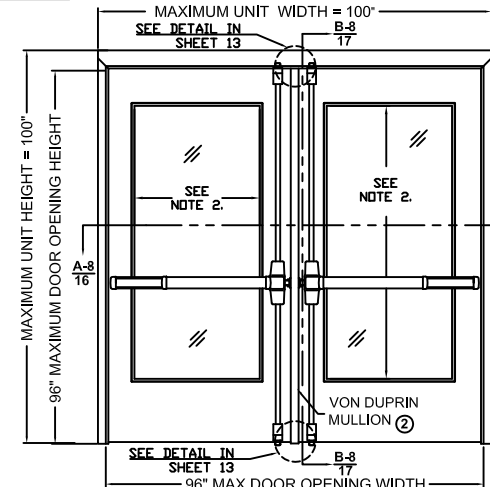


CONFIG.	DESIGN PRESSURE RATING, PSF	WHERE WATER INFILTRATION REQUIREMENT IS NEEDED	WHERE WATER INFILTRATION REQUIREMENT IS NOT NEEDED
6	±60	SEE TABLE 3.1 ON SHT. 5	SEE TABLES 4.1 ON SHT 7 & 4.2 ON SHT. 8

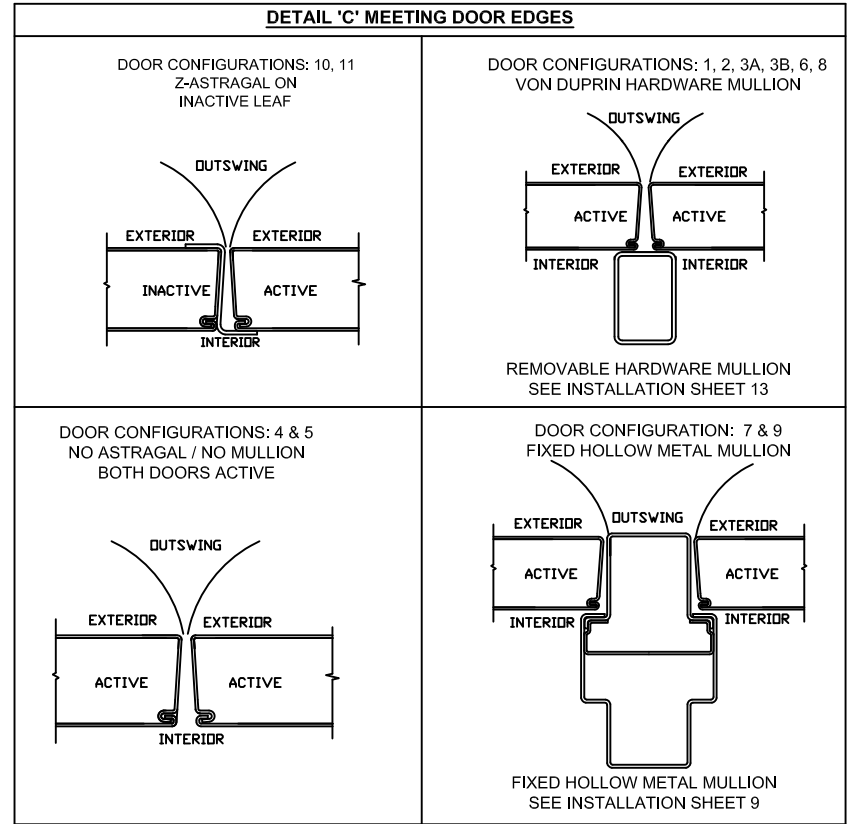


CONFIG.	DESIGN PRESSURE RATING, PSF	WHERE WATER INFILTRATION REQUIREMENT IS NEEDED	WHERE WATER INFILTRATION REQUIREMENT IS NOT NEEDED
7	±60	SEE TABLES 3.2 & 3.3 ON SHT. 6	SEE TABLES 4.1 ON SHT 7 & 4.2 ON SHT. 8

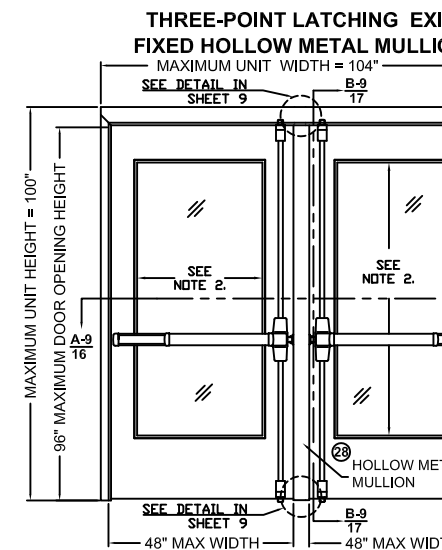
THREE-POINT LATCHING EXIT W/ VON DUPRIN HARDWARE MULLION



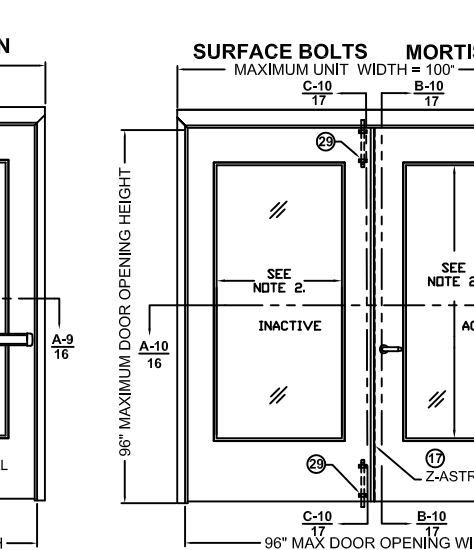
CONFIG.	DESIGN PRESSURE RATING, PSF	WHERE WATER INFILTRATION REQUIREMENT IS NEEDED	WHERE WATER INFILTRATION REQUIREMENT IS NOT NEEDED
8	±50	SEE TABLE 3.1 ON SHT. 5	SEE TABLES 4.1 ON SHT 7 & 4.2 ON SHT. 8



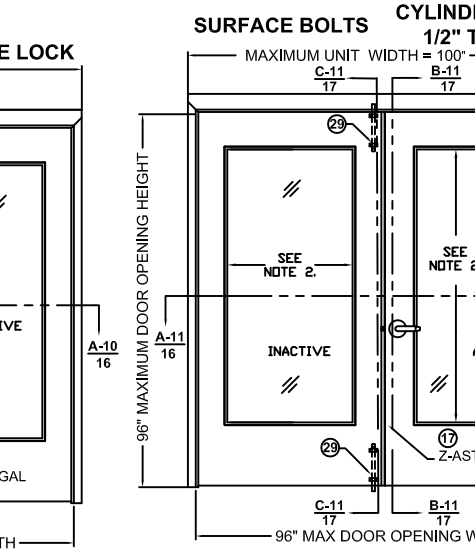
COMPLIANCE STATEMENT:
 1. THESE PRODUCTS HAVE BEEN TESTED TO HVHZ PROTOCOLS TAS 201, 202 & 203-94, ASTM PROTOCOLS E283-04, E330-02 AND E331-00, AND COMPLY WITH THE CURRENT EDITION FLORIDA BUILDING CODE.



CONFIG.	DESIGN PRESSURE RATING, PSF	WHERE WATER INFILTRATION REQUIREMENT IS NEEDED	WHERE WATER INFILTRATION REQUIREMENT IS NOT NEEDED
9	±50	SEE TABLES 3.3 & 3.3 ON SHT. 6	SEE TABLES 4.1 ON SHT 7 & 4.2 ON SHT. 8



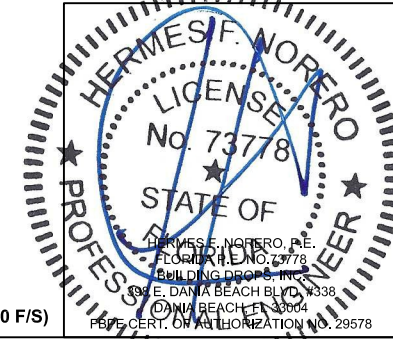
CONFIG.	DESIGN PRESSURE RATING, PSF	WHERE WATER INFILTRATION REQUIREMENT IS NEEDED	WHERE WATER INFILTRATION REQUIREMENT IS NOT NEEDED
10	±50	SEE TABLE 3.1 ON SHT. 5	SEE TABLES 4.1 ON SHT 7 & 4.2 ON SHT. 8



CONFIG.	DESIGN PRESSURE RATING, PSF	WHERE WATER INFILTRATION REQUIREMENT IS NEEDED	WHERE WATER INFILTRATION REQUIREMENT IS NOT NEEDED
11	±50	SEE TABLE 3.1 ON SHT. 5	SEE TABLES 4.1 ON SHT 7 & 4.2 ON SHT. 8

NOTES:

- INTERIOR VIEWS ARE SHOWN FOR ALL ELEVATIONS OF OUTSWING DOORS
- SEE TABLE 1 ON SHEET 2 FOR GLAZING SIZE, HARDWARE APPLICATIONS & LIMITATIONS
- SEE SHEETS 3 & 19 FOR HINGE REQUIREMENTS
- SEE SHEETS 4 & 20 FOR ANCHORING TYPES AND LIMITATIONS AND SHEETS 9 & 13 FOR MULLION INSTALLATION
- SEE SHEETS 3 - 8 AND 20 FOR SILL INSTALLATION INFORMATION
- SEE SHEET 5 TABLE 3.1 & SHEET 6 TABLES 3.2 & 3.3 FOR WATER RATED THRESHOLDS AND WEATHERSTRIPPING INSTALLATION AND LIMITATIONS
- SEE SHEET 7 TABLE 4.1 & SHEET 8 TABLE 4.2 FOR NON WATER RATED THRESHOLDS AND WEATHERSTRIPPING INSTALLATION AND LIMITATIONS
- SEE SHEET 11 FOR GLAZING OPTIONS AND DETAILS
- DLO - DAYLIGHT OPENING SIZE, SAME AS EXPOSED GLASS, SEE SHEETS 1, 2 AND 10 FOR SIZES AND LIMITATIONS
- ALL CONFIGURATIONS MEET LARGE AND SMALL MISSILE IMPACT REQUIREMENTS -LARGE MISSILE IMPACT AT (50 F/S)



BEND RADIUS	SCHLAGE LOCK COMPANY, LLC 11819 N. PENNSYLVANIA STREET CARMEL, IN 46032		
THIRD ANGLE PROJECTION	TITLE: STEELCRAFT H SERIES DOUBLE OUTSWING GLAZED COMMERCIAL STEEL DOORS WITH AND WITHOUT PANIC EXIT DEVICES		
DRAWN YMF	DATE 05/20/07	GLASS OUTSWING, DOUBLE DOORS AND HARDWARE CONFIGURATIONS.	
CHECKED		SIZE FLAT	DWG NO. IRGD07
APPROVED			REV M
ENG. APPVL JPD	11/15/07	SCALE: NTS	AUTOCAD
		SHEET	1 OF 20

Door Configuration	Maximum Design Pressure, PSF		Maximum Door Opening Size, in.		Maximum Exposed Glazing Size (DLO)*, in.		Locking Hardware Description				Comments	
	Positive	Negative	Width	Height	Width	Height	Hardware Family	Model/Series	Strike Models	Brand		
1	60	60	72	84	24	64	Rim Exit Device	98/99 & 98/99-F	299F/499F	Von Duprin	for pairs use HH9954 mullion by Von Duprin See Sheet 10	
								88-F	268/499F	Von Duprin		
2	50	50	96	96	34.25	74.5	Rim Exit Device	98/99 & 98/99-F	299F/499F	Von Duprin	for pairs use HH9954 mullion by Von Duprin See Sheet 10	
								88-F	268/499F	Von Duprin		
3A	90 SEE NOTE 2.	90 SEE NOTE 2.	96	96	12	12	Rim Exit Device	XP98/99 & XP98/99-F	909/954	Von Duprin	for pairs use HH9954 mullion by Von Duprin See Sheet 10	
3B					3	33						
					4	25						
			5	20								
4	60	60	72	84	24	64	Surface Vertical Rod Exit Device	98/9927 & 98/9927-F	299F-499F Top, 304L/284L4 Bottom	Von Duprin		
								F-25-V & 25-V	3788 Top, 2130 Bottom	Falcon		
5	60	60	72	84	24	64	Concealed Vertical Rod Exit Device	98/9947-F & HH98/9947	338 Top, 385A or 304L Bottom	Von Duprin	HH98/9947 device has a 2-3/4" backset	
								33/3547A-F & HH33/3547A	338 Top, 385A or 304L Bottom	Von Duprin	HH33/3547A device has a 2-3/4" backset	
								F-25-C	4188 Top, 2130 Bottom	Falcon		
6	60	60	72	84	24	64	Three-Point Latching Device	98/9957 & 98/9957-F	299F/499F Top/Middle, 304L/248L4 Bottom	Von Duprin	for pairs use HH9954 mullion by Von Duprin See Sheet 10	
7	60	60	36	84	24	64	Three-Point Latching Device	98/9957 & 98/9957-F	299F/499F Top/Middle, 304L/248L4 Bottom	Von Duprin	NOTE 3	
8	50	50	96	96	34.25	74.5	Three-Point Latching Device	98/9957 & 98/9957-F	299F/499F Top/Middle, 304L/248L4 Bottom	Von Duprin		
9	50	50	48	96	34.25	74.5	Three-Point Latching Device	98/9957 & 98/9957-F	299F/499F Top/Middle, 304L/248L4 Bottom	Von Duprin	NOTE 3	
10	50	50	96	96	34.25	74.5	Mortise Lock	L/LV9000, AD-MS, CO-MS	10-072	Schlage	Function w/o deadbolt, 3/4" min. throw latch	
								LE-MS	10-072	Schlage		
								L/LV9400, AD-MD, CO-MD	10-072	Schlage		Function with deadbolt, 3/4" min. throw latch & 1" min. throw bolt
								LE-MD	10-072	Schlage		
							MA	ANSI	Falcon		function with or without deadbolt, 3/4" min. throw latch & 1" min. throw bolt (if applicable)	
11	50	50	96	96	34.25	74.5	Cylindrical Lock	D, ND, NDE, AD-CY, CO-CY	10-025	Schlage	1/2" throw latch	
								T	ANSI	Falcon		1/2" throw latch

TABLE 1.

- NOTES:
- SEE SHEETS 12, 13, 14 & 15 FOR LOCKING HARDWARE. FOR DOOR CONFIGURATIONS 10 & 11 INACTIVE LEAF REQUIRES IVES SB360 SURFACE BOLT TOP AND BOTTOM, EACH ATTACHED WITH (4) #12-24 OVAL HEAD MACHINE SCREWS AND SEX BOLTS.
 - DOOR CONFIGURATIONS 3A & 3B ARE RATED FOR MAXIMUM DESIGN PRESSURE UP TO ±75 PSF WITH ZERO INT'L THRESHOLD 12A WHEN WATER INFILTRATION REQUIREMENT IS NEEDED. SEE SHEET 5
 - DOOR CONFIGURATIONS 3A & 3B ARE RATED FOR MAXIMUM DESIGN PRESSURE UP TO ±75 PSF WITH ZERO INT'L THRESHOLD OPTIONS (12A, 12C & 12D) WHEN WATER INFILTRATION REQUIREMENT IS NOT NEEDED. SEE SHEET 7
 - DOOR CONFIGURATIONS 3A & 3B ARE RATED FOR MAXIMUM DESIGN PRESSURE UP TO ±90 PSF WITH NGP THRESHOLD 12B WHEN WATER INFILTRATION IS NOT NEEDED. SEE SHEET 8
 - DOOR CONFIGURATIONS 7 & 9 ARE FOR USE ON TWO DOORS WITH FIXED HOLLOW METAL MULLION.
 - * DLO - DAYLIGHT OPENING, SAME AS EXPOSED GLASS OR FINISHED OPENING. SEE SHEETS 10 & 11 FOR GLAZING TYPES, DETAILS AND LIMITATIONS

REVISIONS			
LTR	DESCRIPTION	DATE	APPROVED
A	APPROVAL DWG	YMF 05/20/07	
C	REVISED DWG	RAP 12/14/07	
D	REVISED DWG	YMF 10/22/08	
E	REVISED PER_MDBCCD	YMF 02/05/09	
F	REVISED PER_MFR	YMF 05/18/09	
G	REVISED PER_MDBCCD	YMF 04/09/10	
H	REVISED NAME	JPD 11/01/13	
J	REVISED DWG	JPD 02/01/15	
K	REVISED DWG	JPD 06/30/15	
L	ENGINEER CHANGE	LMS 12/01/16	
M	REVISED DWG	JPD 07/18/18	



BEND RADIUS		SCHLAGE LOCK COMPANY, LLC 11819 N. PENNSYLVANIA STREET CARMEL, IN 46032	
 THIRD ANGLE PROJECTION		TITLE: STEELCRAFT H SERIES DOUBLE OUTSWING GLAZED COMMERCIAL STEEL DOORS WITH AND WITHOUT PANIC EXIT DEVICES GLASS OUTSWING DOORS AND HARDWARE CONFIGURATIONS COMMERCIAL DOOR OPENING DOUBLE GLASS DOORS.	
DRAWN YMF	DATE 05/20/07	SIZE FLAT	DWG NO. IRGD07
CHECKED		REV M	
APPROVED		SCALE: NTS	AUTOCAD
ENG. APPVL JPD	11/15/07	SHEET	2 OF 20

REVISIONS

LTR	DESCRIPTION	DATE	APPROVED
A	APPROVAL DWG.	YMF 05/20/07	
G	REVISED PER_MDBCCD	YMF 04/08/10	
H	REVISED NAME	JPD 11/01/13	
J	REVISED NAME	JPD 02/01/15	
K	REVISED DWG	JPD 06/30/15	
L	ENGINEER CHANGE	LMS 12/01/16	
M	REVISED DWG	JPD 07/18/18	

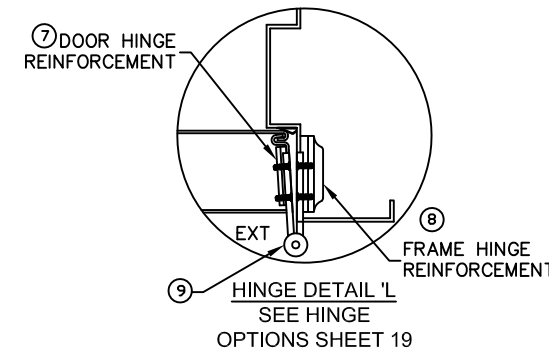
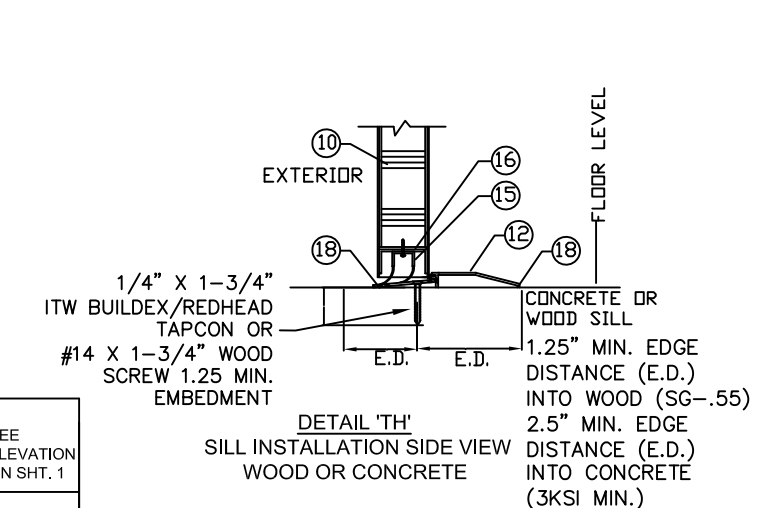
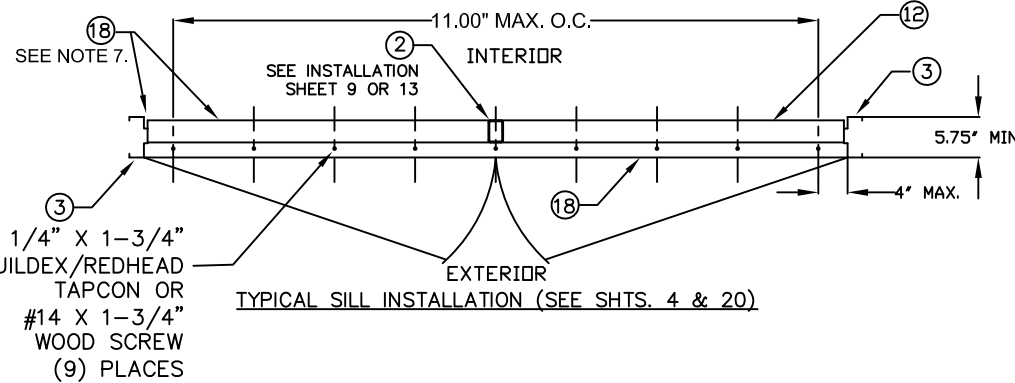
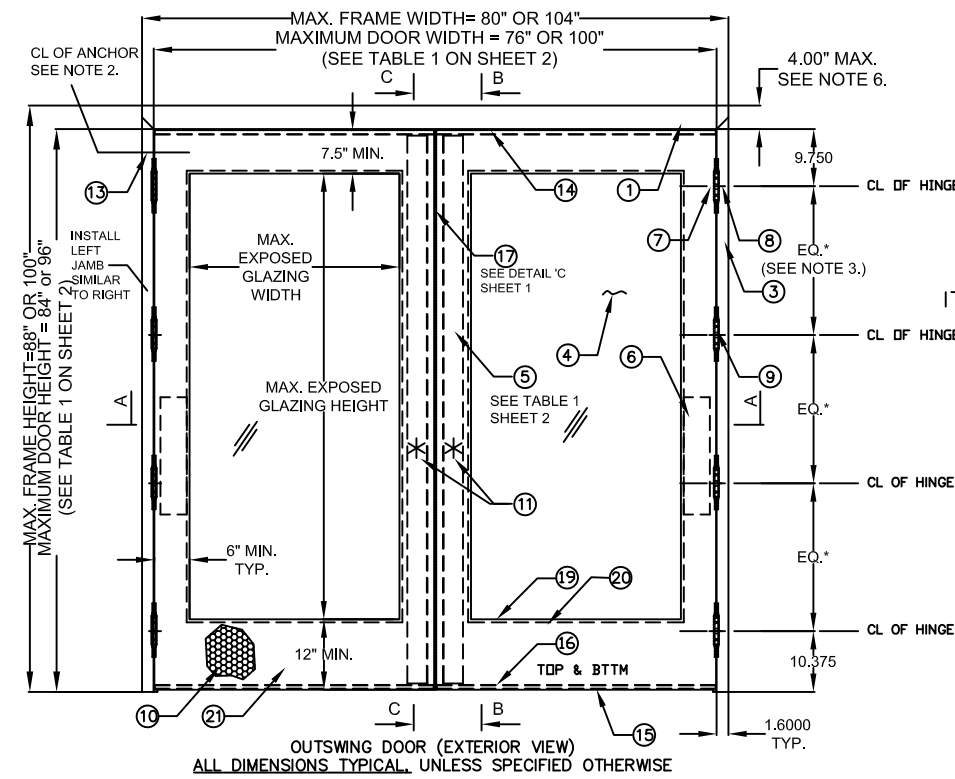
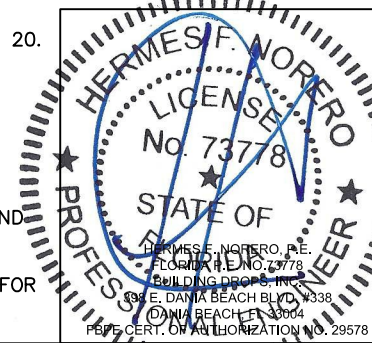
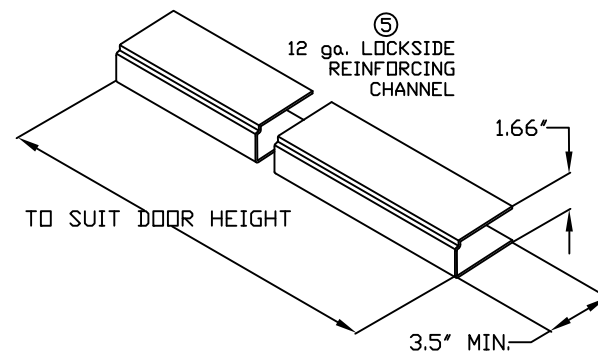
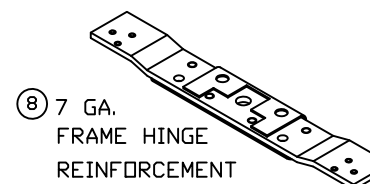
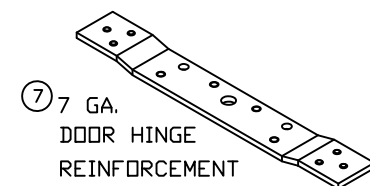


TABLE 2

ITEM	QUANTITY	DESCRIPTION	MATERIAL	SIZE	SEE ELEVATION ON SHT. 1
1	1	HEAD SEE SHT 9 ASTM A366	.053" MIN. STL	MAX. 100"	
2	1	VON DUPRIN HH9954 HDWE MULLION USED W/RIM HDWE	.312" A500 STL	MAX. 96" HEIGHT	
3	2	HINGE JAMB SEE SHT 9 ASTM A366	.053" MIN. STL	MAX. 100" HEIGHT	
4	2	LEXAN BY SABIC INNOVATIVE PLASTICS	.25" DR .50"		
		LAMINATED GLASS WITH KURARAY SENTRYGLAS INTERLAYER	.562" TYP.	35.406' X 75.656' MAX.	
		SUPERLITE II-XL BY SAFTI W/ KURARAY SENTRYGLAS INTERLAYER	1.06" TYP.		
5	2	LOCK SIDE REINFORCEMENT CHANNEL	.093" MIN. STL	3.5 X 93.44 MAX	
6	2	HINGE SIDE PANIC REINFORCEMENT	.067" MIN. STL	MAX. 20"	
7	NOTE 2.	HINGE REINFORCEMENT DOOR ASTM A621	.167" MIN. STL.	1.23' X 9.19' MIN.	
8	NOTE 2.	HINGE REINFORCEMENT FRAME ASTM A621	.167" MIN. STL.	1.5' X 9.19' MIN.	
9	NOTE 2.	OPTIONAL CONTINUOUS HINGE (SEE SHT. 19)	.075" MIN. STL/.12 ALUM	MAX. 95"	
10	2	CORE MATERIAL (SHEET 18): D) HONEYCOMB C) STEEL STIFFENED A & F) POLYSTYRENE B & F) POLYURETHANE/POLYISOCYANURATE E) MINERAL BOARD TEMPERATURE RISE CORE			
11	2	LOCKING HARDWARE - SEE SHEET 2 TABLE 1.			
		THRESHOLD SILL W/BUMPER GASKET (SEE SHEETS 5, 6, 7 & 8)			
		12A) 566 BY ZERO SHTS 5&6 WATER RATED 7&8 NON WATER	.125" ALUM. 6063 T5	5.0"x0.5"x96"MAX.	
		12B) 950A BY NGP SHT 6 WATER RATED SHT 8 NON WATER	.078" ALUM. 6063 T5		
		12C) 65 BY ZERO SEE SHEETS 7&8 NON WATER RATED	.125" ALUM. 6063 T5		
		12D) 568 BY ZERO SEE SHEETS 7&8 NON WATER RATED	.125" ALUM. 6063 T5	6.0"x0.5"x96"MAX.	
13	NOTE 1.	JAMB ANCHOR ASTM A924	SEE SHEETS 4 & 20		
14	SEE SHTS. 5, 6, 7 & 8	14A) PSD74 DOOR SEAL STEELCRAFT 14B)188S, 14C)117S, 14D)8144S, 14E)8150S DOOR SEAL ZERO	TPE SILICONE	VARIES	
15	2	FAS-SEAL DOOR SWEEP	TPE	MAX. 48"	
16	4	END CHANNEL ASTM A924 (14 GA - INVERTED)	TPE	.69' X 1.66' X 48' MAX.	
17	1	17A) 328 SPLIT ASTRAGAL BY ZERO INT'L 17B) 137 SPLIT ASTRAGAL BY NGP	SEE SHEETS 5, 6, 7 & 8		
18	AS NEEDED	CAULK BUTYL RUBBER OR 100% SILICONE GLAZING HOLDING TRIM SEE SHEET 11	SEE SHEETS 5, 6, 7 & 8 SEE SHEET 11		
19	AS NEEDED	#1) DEZIGNER TRIM #2) STEEL OVERLAPPING TRIM #3) STEEL OVERLAPPING TRIM #4) HIGH SECURITY VISION FRAME SG-10 BY ANEMOSTAT	.035" MIN. STL .093"(12GA) MIN. STL.	34.25' X 74.5' EXPOSED GLASS MAX. SEE SHEETS 10 & 11 FOR DETAILS & LIMITATIONS	
20	NOTE 10.	CUTOUT REINFORCEMENT CHANNEL (18 GA)	.047" MIN. STL	0.5' X 1.66' X 35.5' 75.5' MAX.	
21	2	DOOR SLAB (16 DR 14 GA)	SEE SHEET 9	3' X 7' DR 4' X 8' MAX.	
22	VARIES	22A) 8150S DOOR SEAL BY ZERO INT'L SEE SHTS 5, 7 & 8 22B) 188S DOOR SEAL BY ZERO INT'L SEE SHTS 6, 7, & 8	SILICONE	VARIES	
23	2	202N DOOR SEAL BY NGP SEE SHEET 6	TPE	MAX. 84' DR 96'	
24	2	24A) 139 DOOR SWEEP BY ZERO INT'L SEE SHTS 5 & 6 24B) 328 DOOR SWEEP BY ZERO INT'L SEE SHTS 5, 6, & 7 24C) 200N DOOR SWEEP BY NGP SEE SHEET 6	TPE	MAX. 36' DR 48'	
25	2	25A) 475 ADJUSTABLE SEAL BY ZERO INT'L SEE SHEET 6 25B) 170N ADJUSTABLE SEAL BY NGP SEE SHEET 6	TPE	MAX. 84' DR 96'	
26	1	26A) 142 RAIN DRIP BY ZERO INT'L	SEE SHTS 5 & 6	MAX. 104"	
	2	26B) 11 RAIN DRIP BY ZERO INT'L 26C) 16A RAIN DRIP BY NGP	SEE SHTS 5 & 6 SEE SHEET 6	MAX. 36' DR 48' MAX. 36' DR 48'	
27	2	TOP CAP GALV. A60 ASTM A924	.020" MIN. STL	0.5' X 1.76' X 48' MAX.	
28	1	HOLLOW METAL MULLION	SEE SHEET 9	84' DR 96' MAX.	
29	2	IVES 360 12" SURFACE BOLT - TOP & BOTTOM INACTIVE LEAF CONFIG. 10 & 11			

NOTES:

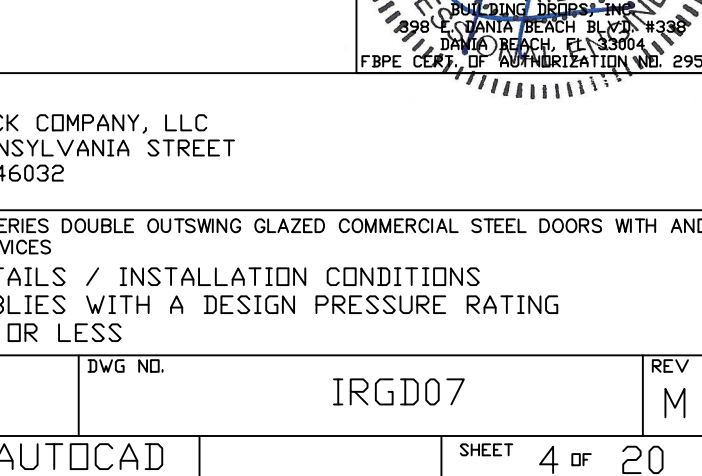
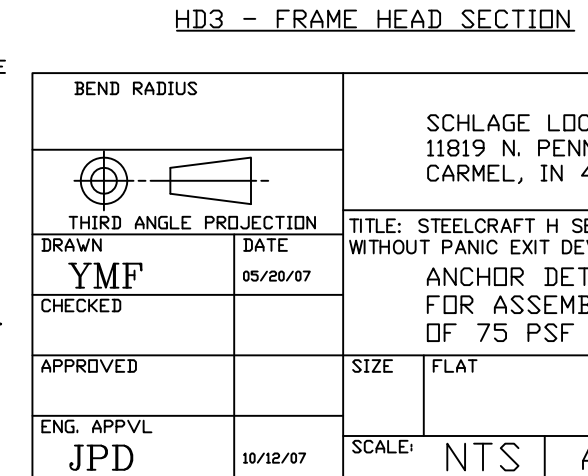
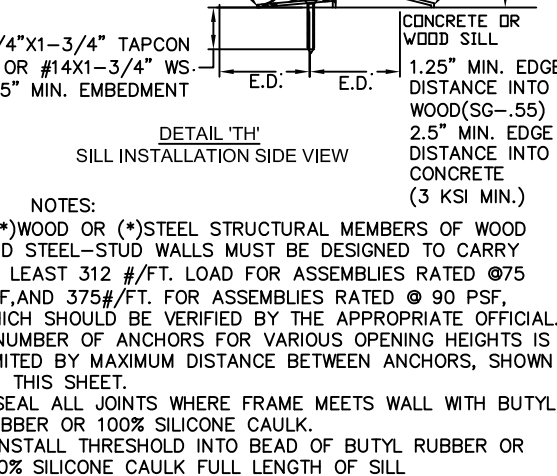
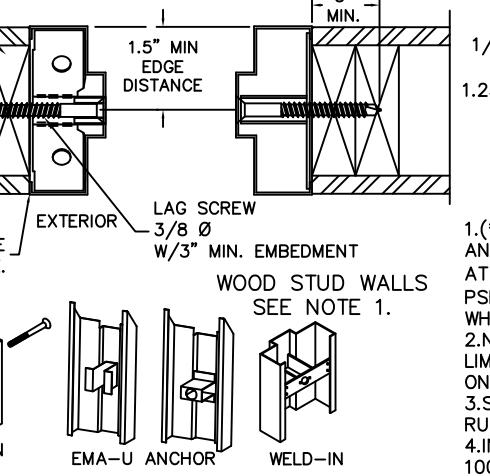
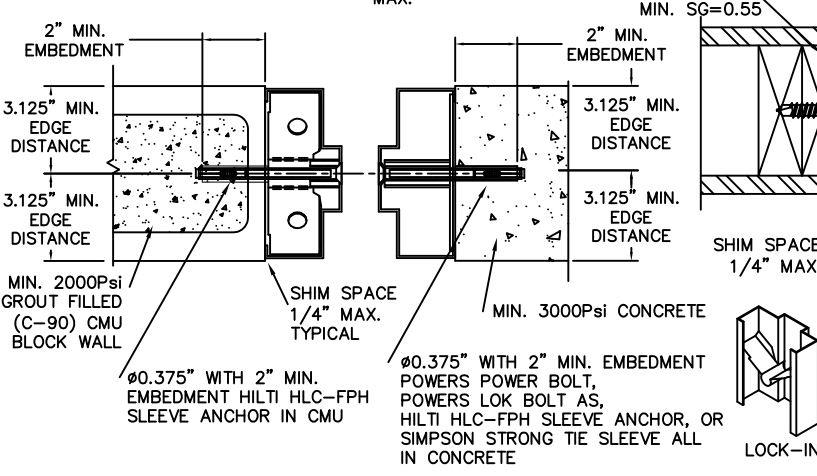
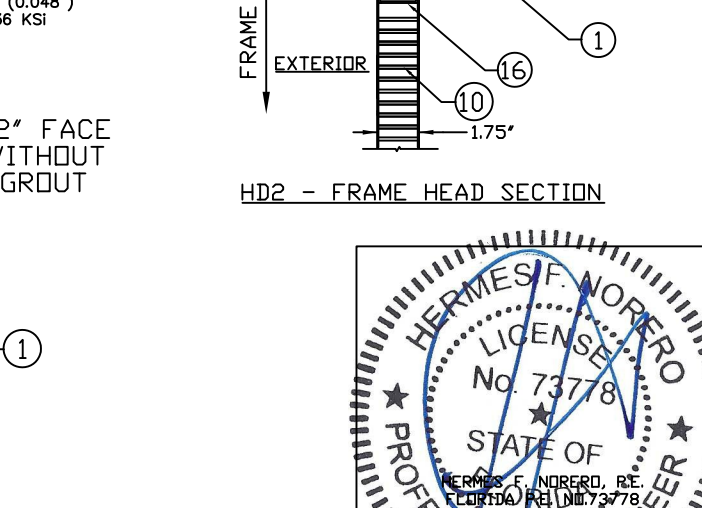
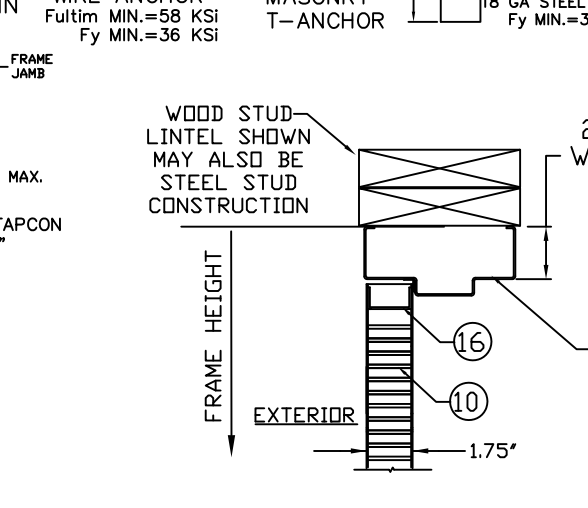
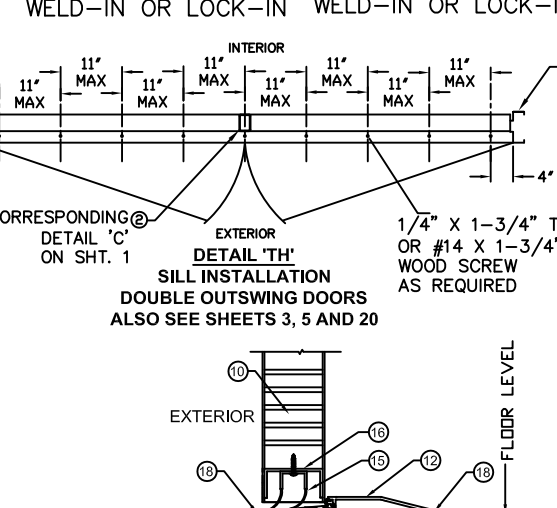
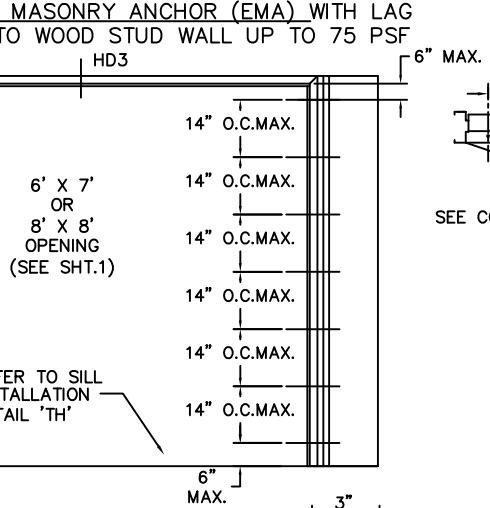
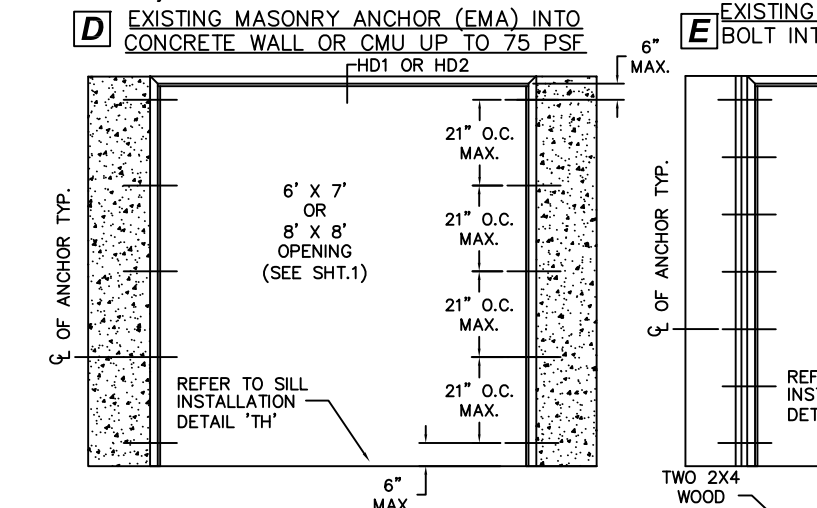
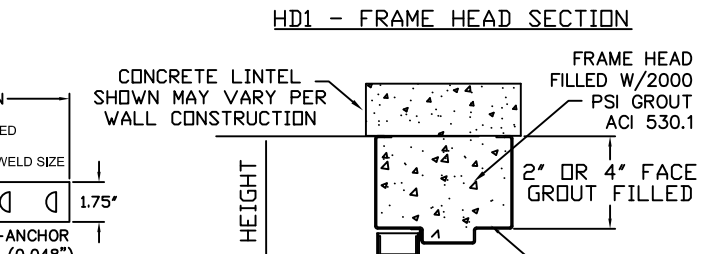
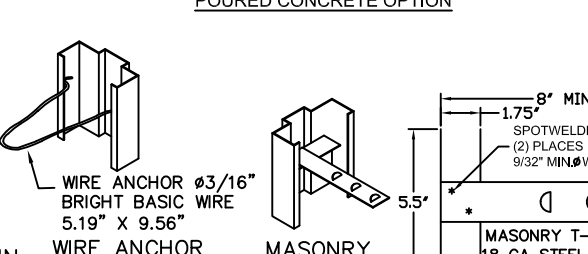
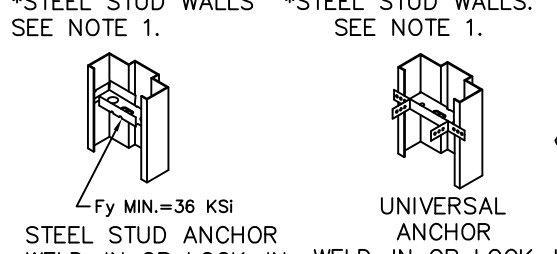
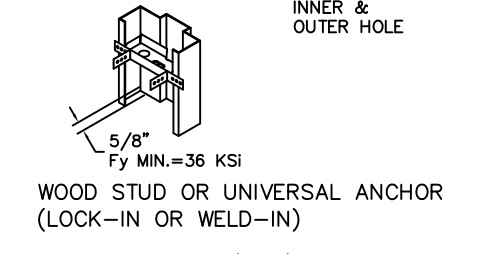
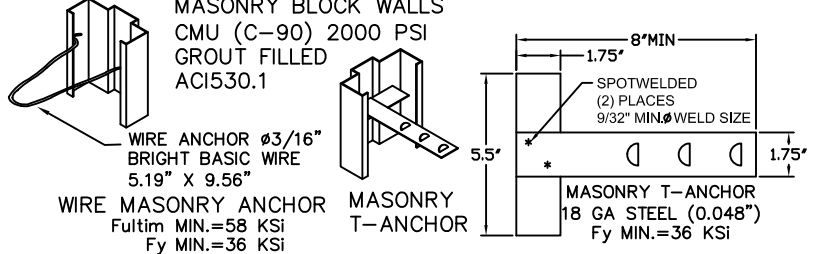
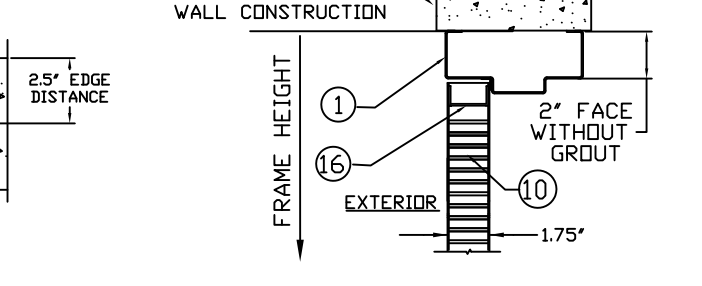
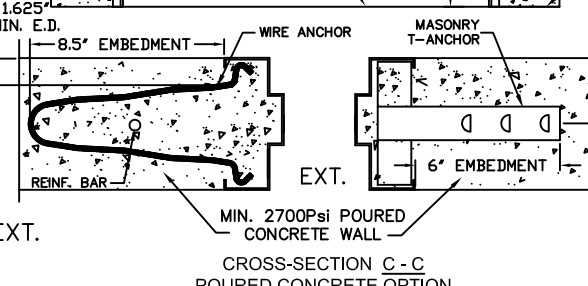
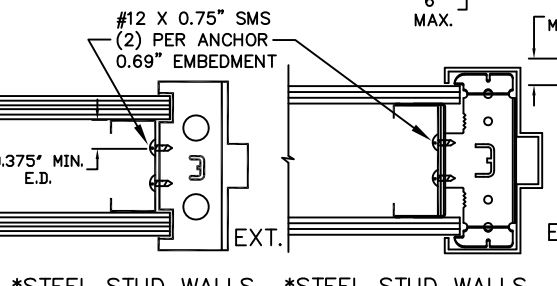
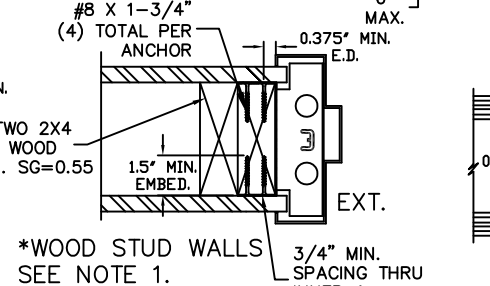
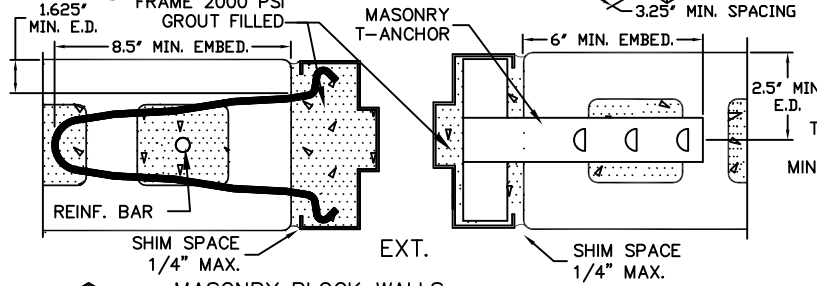
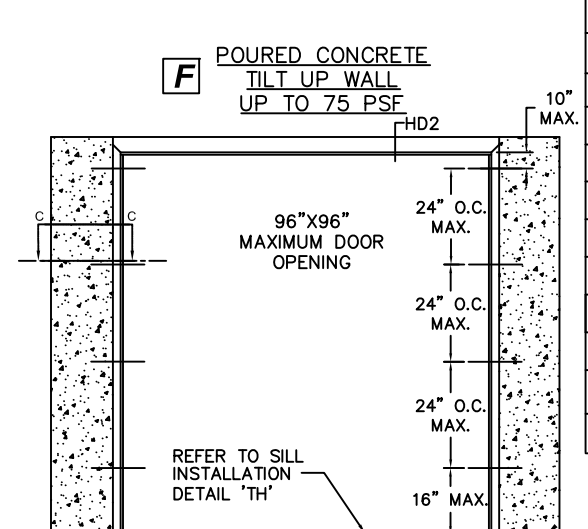
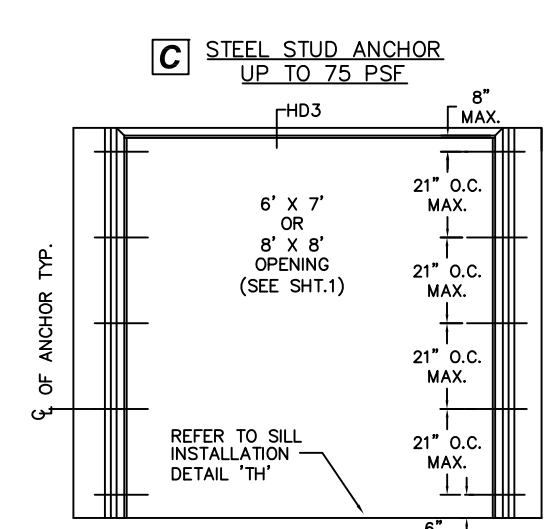
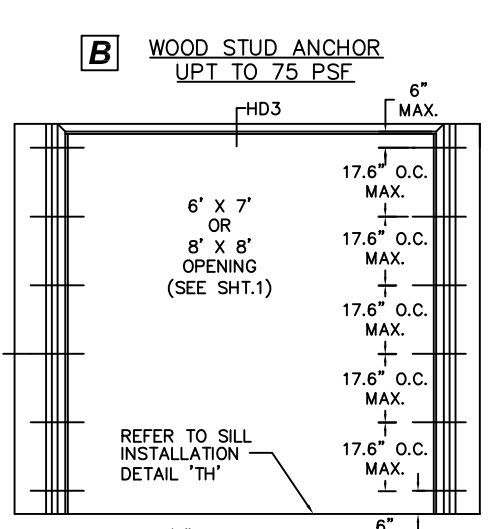
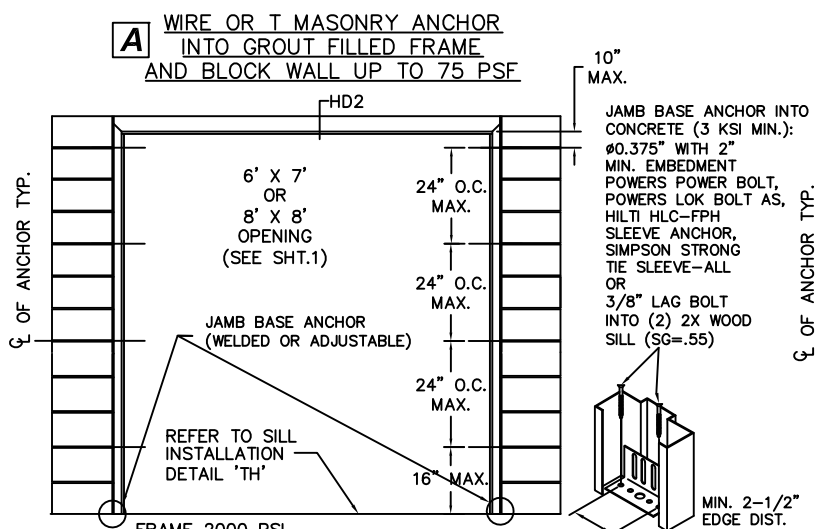
- ANCHOR REQUIREMENTS: SEE SHEETS 4 & 20 FOR APPROVED ANCHORS AND INSTALLATION
- HINGE REQUIREMENTS: 4.5" STD WT. MIN.
FOR DOOR OPENING UP TO 90" HIGH - MIN (3) HINGES
FOR DOOR OPENING OVER 90" - 96" HIGH - MIN (4) HINGES
STD LOCATIONS: 9.75" FROM RABBET IN HEAD TO CL OF TOP HINGE
10.38" FROM FLOOR TO CL OF BOTTOM HINGE, EQUALLY SPACED IN BETWEEN. HINGE LOCATIONS MAY VARY, MAX SPACING NOT TO EXCEED 35.5" FOR THREE HINGES
SEE SHEET 19 FOR APPROVED CONTINUOUS HINGE MODELS
- SEE SHEETS 1, 2 & 9 FOR AVAILABLE STANDARD OPENING SIZES AND SPECIFICATIONS.
- HARDWARE INSTALLATION AS PER MANUFACTURER'S INSTRUCTIONS.
- 4" FACE HEAD IS AVAILABLE FOR FRAMES SEE SHEETS 4 AND 20.
- APPLY CAULK TO FULL LENGTH OF SILL AND ENTIRE PERIMETER OF FRAME SEE SHEETS 4-8 AND 20.
- WEATERSTRIPPING
-WHEN WATER INFILTRATION IS REQUIRED INSTALL PER SHEETS 5 AND 6 AS APPLICABLE
-WHEN WATER INFILTRATION IS NOT REQUIRED INSTALL PER SHEETS 7 AND 8 AS APPLICABLE
- SEE SHEET 16 FOR SECTION A-A, SEE SHEET 17 FOR SECTIONS B-B AND C-C.
- INSTALL REINFORCEMENT CHANNELS (ITEM #20) AROUND EACH LITE-CUTOUT.
- ELECTRICAL INSTALLATION AND FIRE RATINGS ARE UNDER SEPARATE APPROVAL AND MUST BE REVIEWED BY CORRESPONDING AUTHORITY.
- OPTIONAL POWER TRANSFERS, AND/OR "SIGNAL SWITCH" MAY BE USED AS ALLOWED BY CODE AND IT DOES NOT EFFECT THE MECHANICAL PROPERTIES OF EXIT DEVICE AND/OR INHIBIT EGRESS.
- SILL SHALL BE ANCHORED PER INSTALLATION DETAIL ON THIS SHEET AND SHEETS 4 & 20.
- GASKETING QUANTITY WILL INCREASE WHEN USED WITH HOLLOW METAL MULLION. SEE SHTS 5-8 FOR DETAILS.



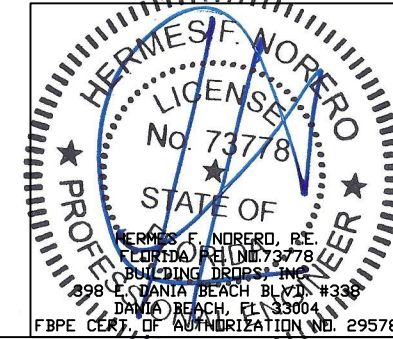
BEND RADIUS		SCHLAGE LOCK COMPANY, LLC 11819 N. PENNSYLVANIA STREET CARMEL, IN 46032	
THIRD ANGLE PROJECTION		TITLE: STEELCRAFT H SERIES DOUBLE OUTSWING GLAZED COMMERCIAL STEEL DOORS WITH AND WITHOUT PANIC EXIT DEVICES	
DRAWN YMF	DATE 05/20/07	H-SERIES GLASS DOUBLE DOORS OUTSWING CONFIGURATIONS	
CHECKED		SIZE FLAT	DWG NO. IRGD07
APPROVED		SCALE: NTS	AUTOCAD
ENG. APPVL JPD	11/15/07	SHEET 3 OF 20	REV M

REVISIONS

LTR	DESCRIPTION	DATE	APPROVED
A	APPROVAL DWG	YMF	05/20/07
D	REVISED DWG	YMF	12/15/08
E	REVISED PER_MDBCCD	YMF	02/05/09
F	REVISED PER_MDBCCD	YMF	01/04/10
G	REVISED PER_MDBCCD	YMF	04/08/10
H	REVISED NAME	JPD	11/01/13
J	REVISED DWG	JPD	02/01/15
K	REVISED DWG	JPD	06/30/15
L	CHANGE OF EDR	LMS	12/01/16
M	REVISED DWG	JPD	07/18/18



NOTES:
 1. (*)WOOD OR (*)STEEL STRUCTURAL MEMBERS OF WOOD AND STEEL-STUD WALLS MUST BE DESIGNED TO CARRY AT LEAST 312 #/FT. LOAD FOR ASSEMBLIES RATED @ 75 PSF, AND 375#/FT. FOR ASSEMBLIES RATED @ 90 PSF, WHICH SHOULD BE VERIFIED BY THE APPROPRIATE OFFICIAL.
 2. NUMBER OF ANCHORS FOR VARIOUS OPENING HEIGHTS IS LIMITED BY MAXIMUM DISTANCE BETWEEN ANCHORS, SHOWN ON THIS SHEET.
 3. SEAL ALL JOINTS WHERE FRAME MEETS WALL WITH BUTYL RUBBER OR 100% SILICONE CAULK.
 4. INSTALL THRESHOLD INTO BEAD OF BUTYL RUBBER OR 100% SILICONE CAULK FULL LENGTH OF SILL



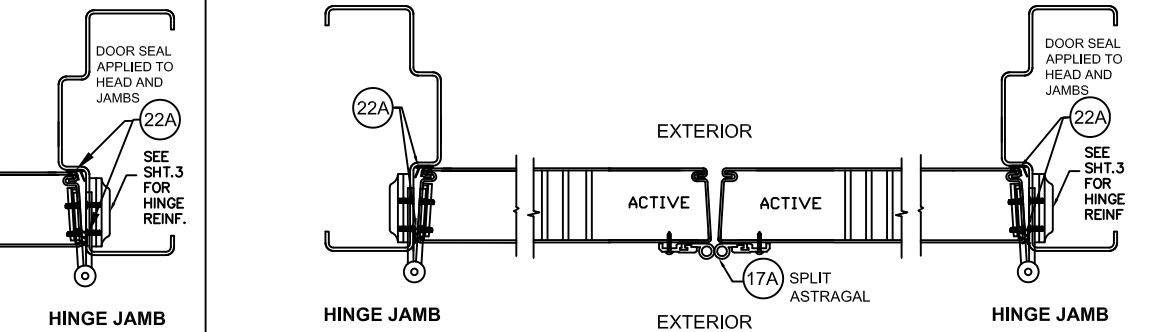
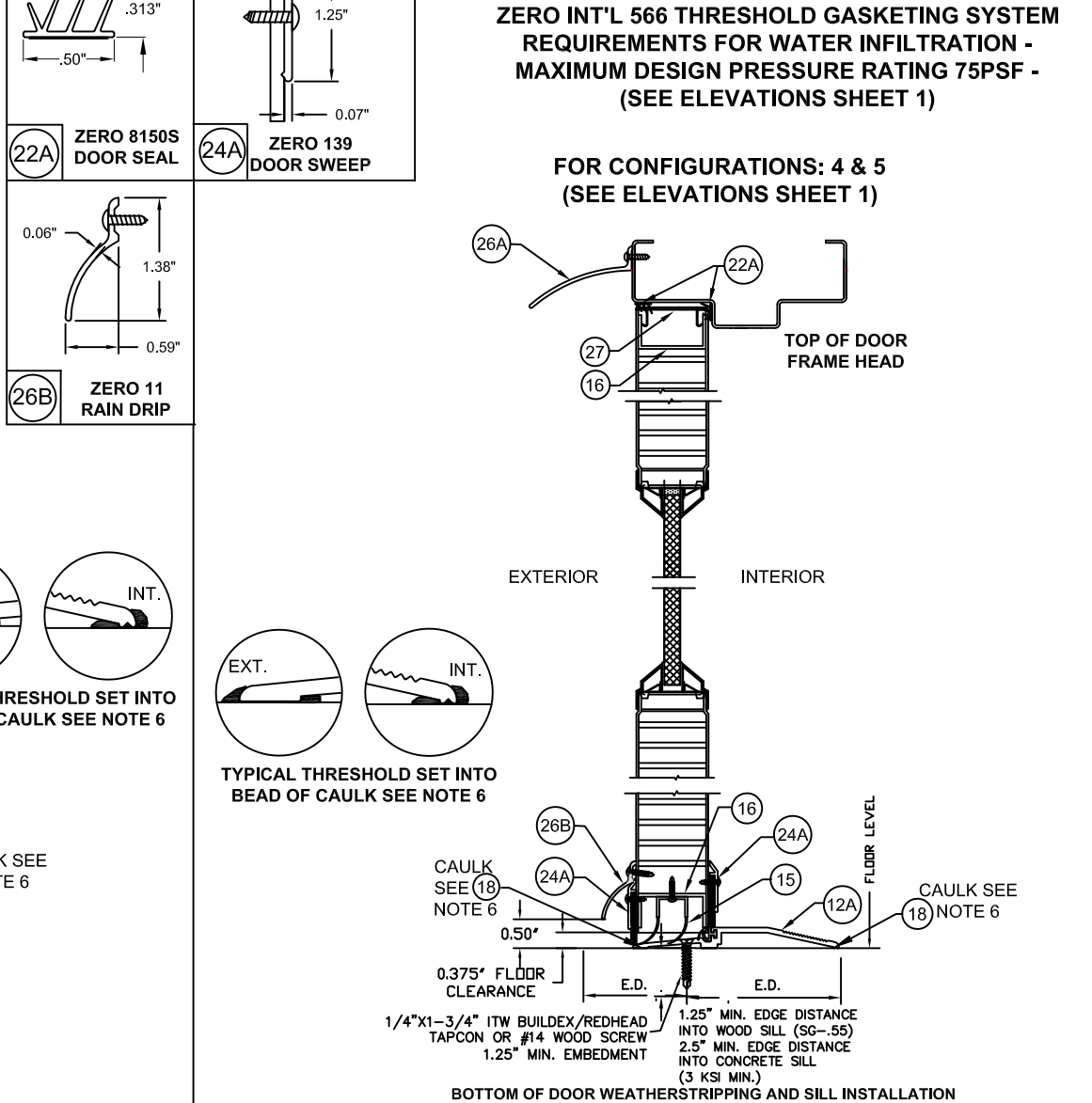
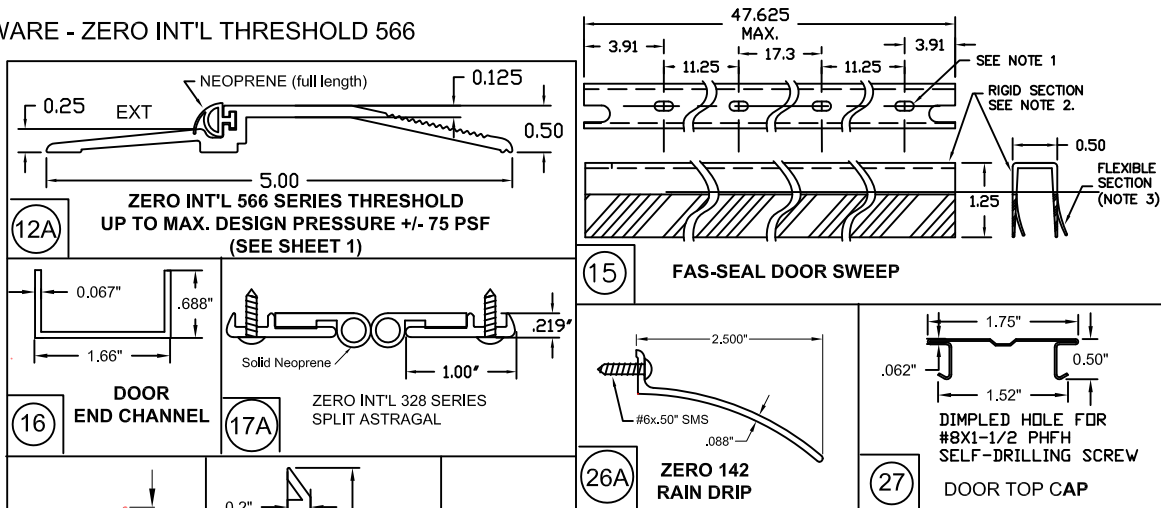
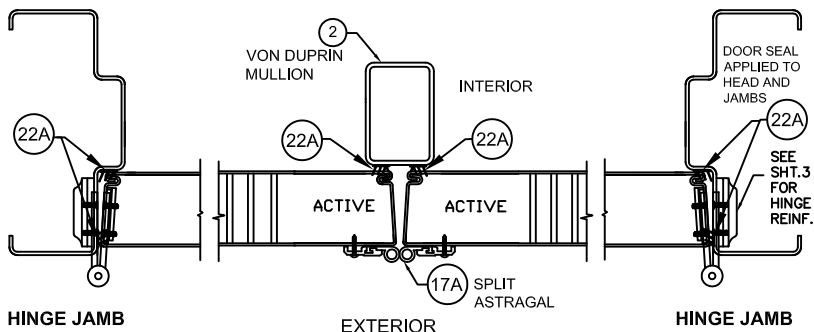
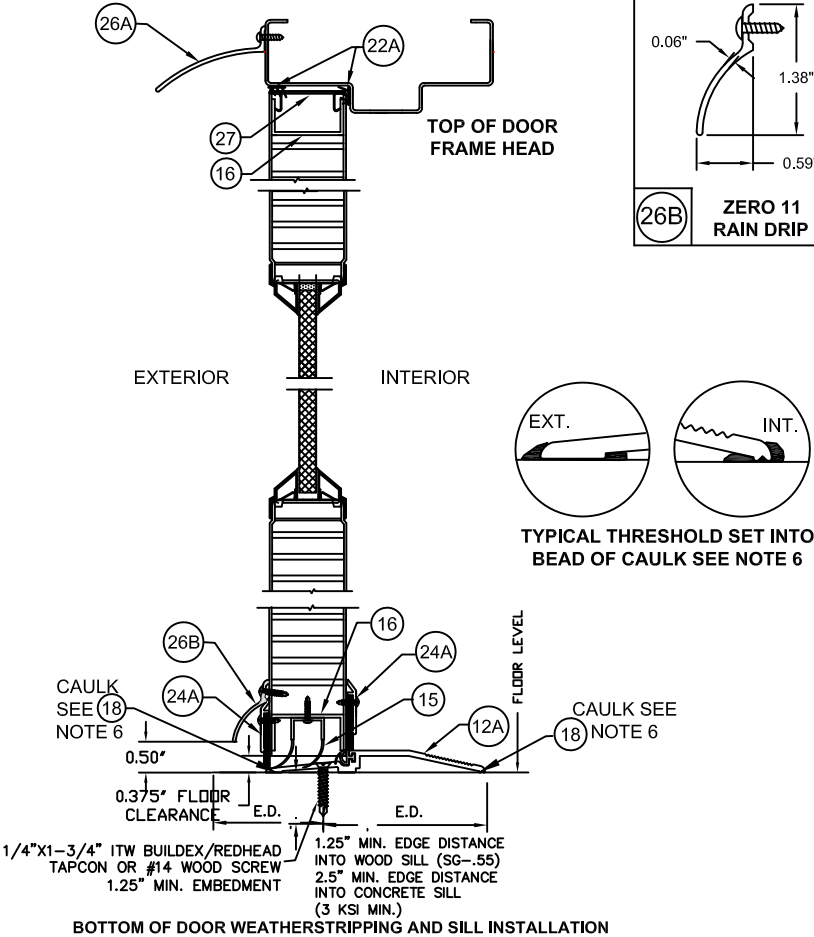
BEND RADIUS		SCHLAGE LOCK COMPANY, LLC 11819 N. PENNSYLVANIA STREET CARMEL, IN 46032	
THIRD ANGLE PROJECTION		TITLE: STEELCRAFT H SERIES DOUBLE OUTSWING GLAZED COMMERCIAL STEEL DOORS WITH AND WITHOUT PANIC EXIT DEVICES	
DRAWN YMF	DATE 05/20/07	ANCHOR DETAILS / INSTALLATION CONDITIONS FOR ASSEMBLIES WITH A DESIGN PRESSURE RATING OF 75 PSF OR LESS	
CHECKED		SIZE FLAT	DWG NO. IRGD07
APPROVED		SCALE NTS	REV M
ENG. APPVL JPD	10/12/07	AUTOCAD	SHEET 4 OF 20

TABLE 3.1 WATER RATED PERIMETER SEAL HARDWARE - ZERO INT'L THRESHOLD 566

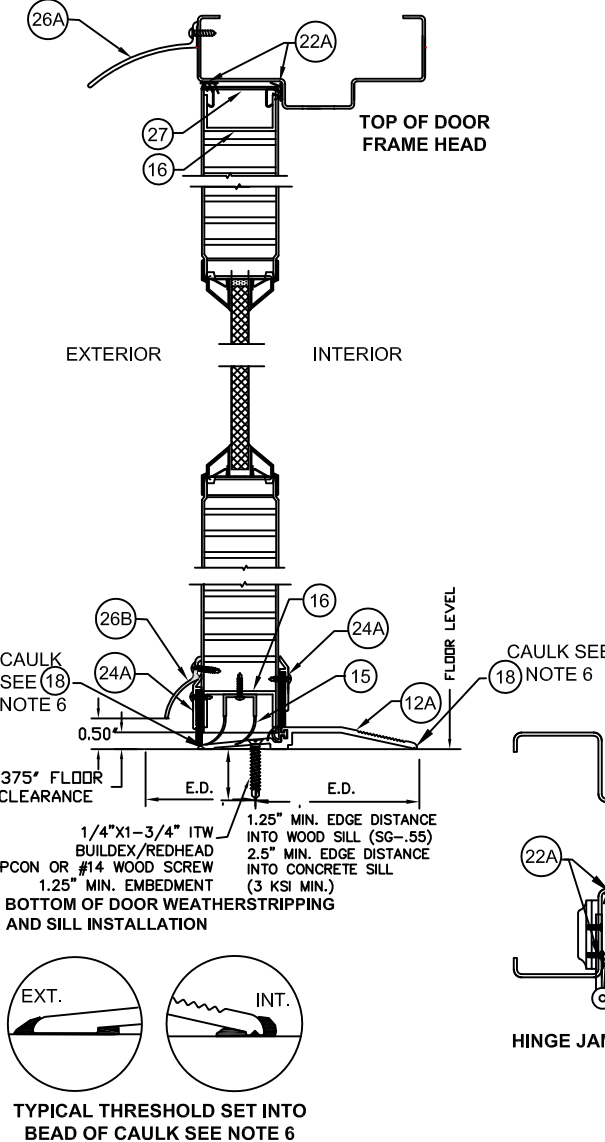
ITEM NUMBER	MODEL No./ DESCRIPTION	MFG.
12A	566 THRESHOLD	ZERO INT'L
15	FAS-SEAL SWEEP	STEELCRAFT
16	END CHANNEL	STEELCRAFT
17A	328 SPLIT ASTRAGAL	ZERO INT'L
22A	8150S DOOR SEAL	ZERO INT'L
24A	139 DOOR SWEEP	ZERO INT'L
26A	142 RAIN DRIP	ZERO INT'L
26B	11 RAIN DRIP	ZERO INT'L
27	DOOR TOP CAP	STEELCRAFT

ZERO INT'L 566 THRESHOLD GASKETING SYSTEM REQUIREMENTS FOR WATER INFILTRATION - MAXIMUM DESIGN PRESSURE RATING 75PSF - (SEE ELEVATIONS SHEET 1)

FOR CONFIGURATIONS: 1, 2, 3A, 3B, 6 & 8 (SEE ELEVATIONS SHEET 1)



ZERO INT'L 566 THRESHOLD GASKETING SYSTEM REQUIREMENTS FOR WATER INFILTRATION - MAXIMUM DESIGN PRESSURE RATING 75PSF - (SEE ELEVATIONS SHEET 1)
FOR CONFIGURATIONS: 10 & 11 (SEE ELEVATIONS SHEET 1)



NOTES:
1. SLOT LOCATIONS MAY VARY WITH DIFFERENT DOOR WIDTH.
2. DOOR SWEEP RIGID SECTION IS MADE OF PRO-FAX #PD-199 POLYPROPYLENE HOMOPOLYMER.
3. DOOR SWEEP FLEXIBLE SECTION IS MADE OF SANTOPRENE #101-73
4. FAS-SEAL DOOR SWEEP (15), AND THRESHOLD (12A) ARE REQUIRED FOR ALL INSTALLATIONS.
5. SEAL ALL JOINTS WHERE FRAME MEETS WALL WITH BUTYL RUBBER OR 100% SILICONE CAULK
6. INSTALL THRESHOLD INTO BEAD OF BUTYL RUBBER OR 100% SILICONE CAULK FULL LENGTH OF SILL

BEND RADIUS		SCHLAGE LOCK COMPANY, LLC 11819 N. PENNSYLVANIA STREET CARMEL, IN 46032	
THIRD ANGLE PROJECTION		TITLE: STEELCRAFT H SERIES DOUBLE GLAZED OUTSWING COMMERCIAL STEEL DOORS WITH AND WITHOUT PANIC EXIT DEVICES	
DRAWN YMF	DATE 05/20/07	DOUBLE GLAZED DOOR PERIMETER SEAL HARDWARE APPROVED WHERE WATER INFILTRATION IS REQUIRED	
CHECKED		SIZE	FLAT
APPROVED		DWG NO.	IRGD07
ENG. APPVL JPD	10/11/07	SCALE:	NTS AUTOCAD
		SHEET	5 of 20

REVISIONS				
LTR	DESCRIPTION	DATE	APPROVED	
A	APPROVAL DWG	YMF	05/20/07	
F	REVISED PER_MDBCCD	YMF	01/04/10	
G	REVISED PER_MDBCCD	YMF	04/08/10	
H	REVISED NAME	JPD	11/01/13	
J	REVISED DWG	JPD	02/01/15	
K	REVISED DWG	JPD	06/30/15	
L	ENGINEER CHANGE	LMS	12/01/16	
M	REVISED DWG	JPD	07/18/18	

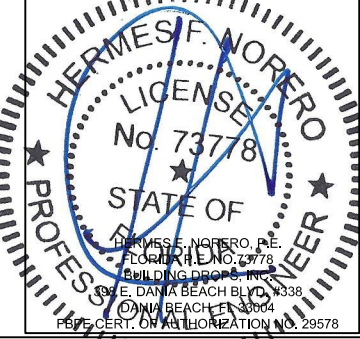
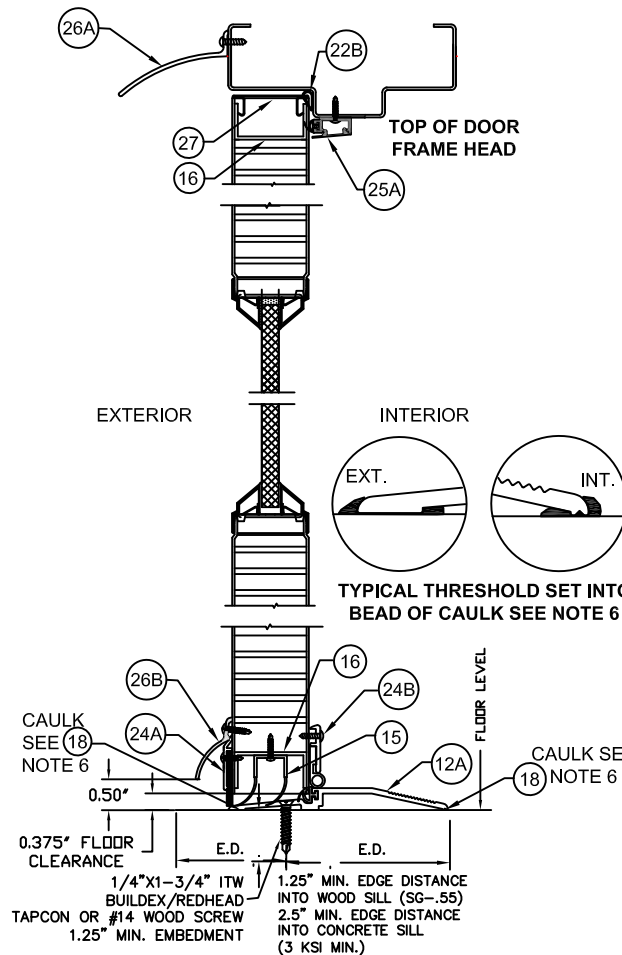


TABLE 3.2 WATER RATED PERIMETER SEAL HARDWARE - ZERO INT'L THRESHOLD 566

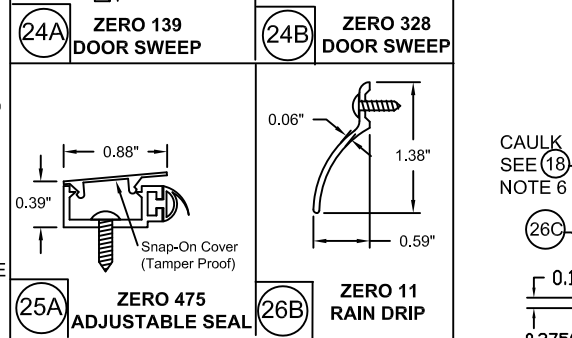
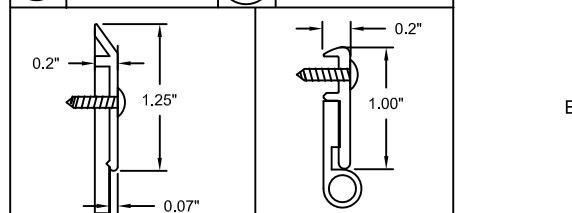
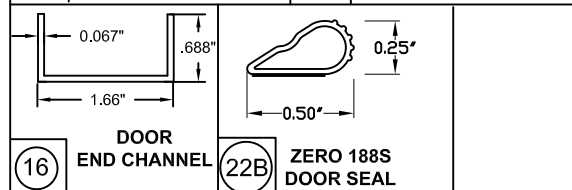
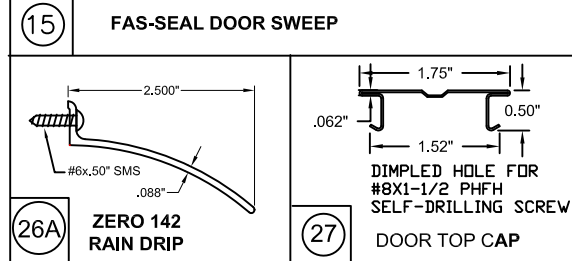
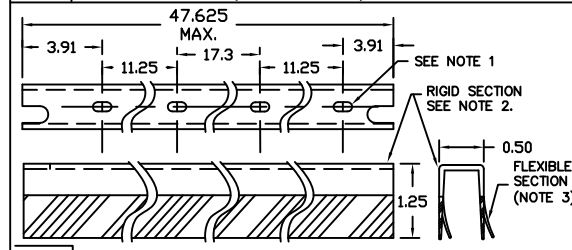
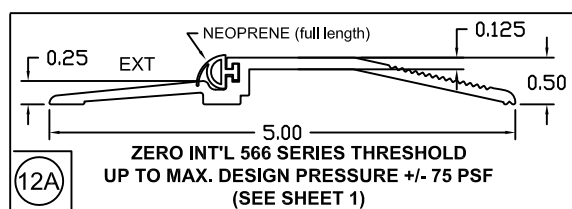
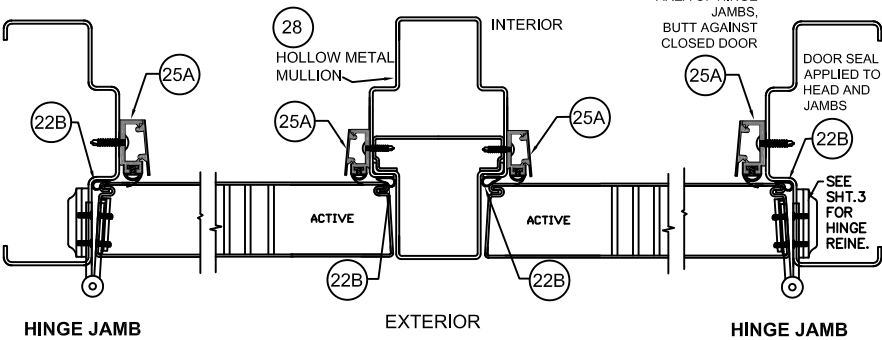
ITEM NUMBER	MODEL No./ DESCRIPTION	MFG.
12A	566 THRESHOLD	ZERO INT'L
15	FAS-SEAL SWEEP	STEELCRAFT
16	END CHANNEL	STEELCRAFT
22B	188S DOOR SEAL	ZERO INT'L
24A	139 DOOR SWEEP	ZERO INT'L
24B	328 DOOR SWEEP	ZERO INT'L
25A	475 ADJUSTABLE SEAL	ZERO INT'L
26A	142 RAIN DRIP	ZERO INT'L
26B	11 RAIN DRIP	ZERO INT'L
27	DOOR TOP CAP	STEELCRAFT

ZERO INT'L 566 THRESHOLD GASKETING SYSTEM REQUIREMENTS FOR WATER INFILTRATION - MAXIMUM DESIGN PRESSURE RATING 75PSF - (SEE ELEVATIONS SHEET 1)

FOR CONFIGURATIONS: 7 & 9 (SEE ELEVATIONS SHEET 1)



BOTTOM OF DOOR WEATHERSTRIPPING AND SILL INSTALLATION



APPLIED TO THE SOFFIT AREA OF HINGE JAMBS, BUTT AGAINST CLOSED DOOR

DOOR SEAL APPLIED TO HEAD AND JAMBS

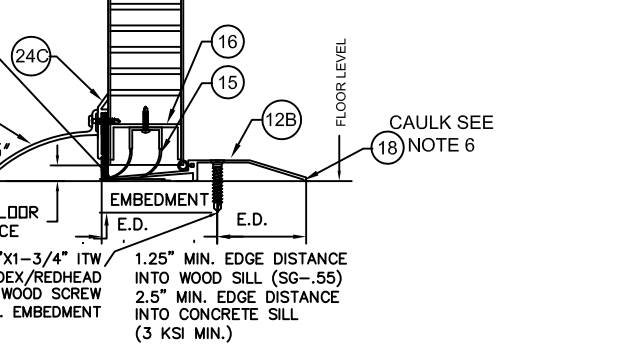
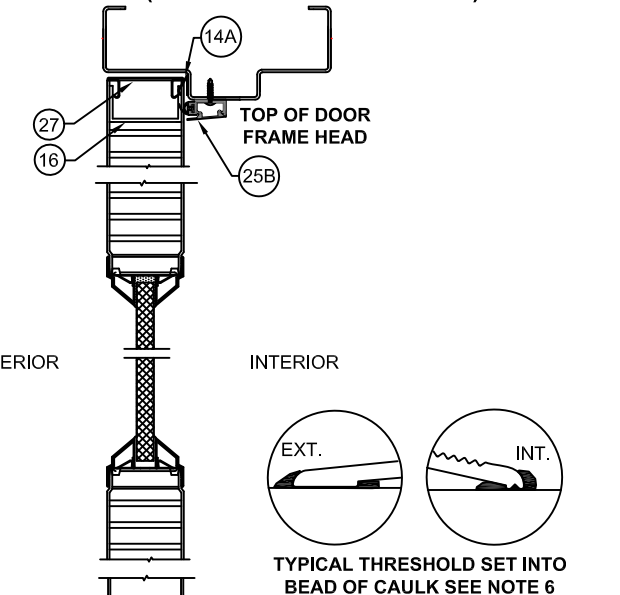
SEE SHT.3 FOR HINGE REINF.

TABLE 3.3 WATER RATED PERIMETER SEAL HARDWARE - NGP THRESHOLD 950

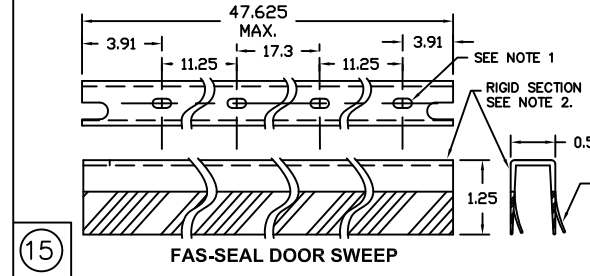
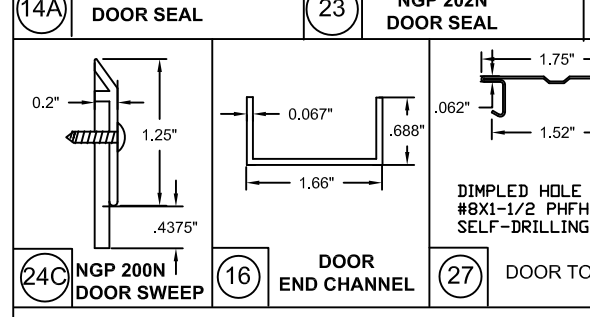
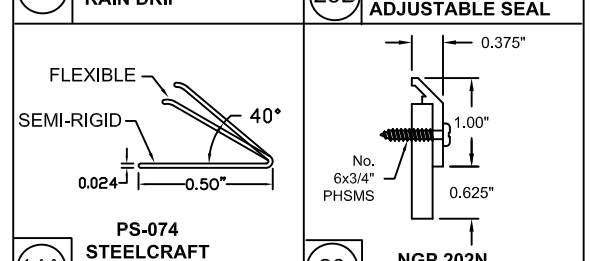
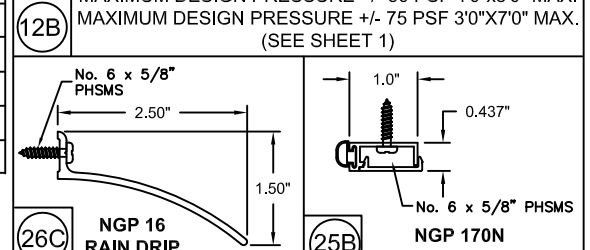
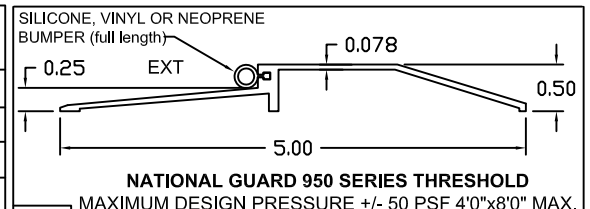
ITEM NUMBER	MODEL No./ DESCRIPTION	MFG.
12B	950 THRESHOLD	NGP
15	FAS-SEAL SWEEP	STEELCRAFT
16	END CHANNEL	STEELCRAFT
14A	PS074 DOOR SEAL	STEELCRAFT
23	202N DOOR SEAL	NGP
24C	200N DOOR SWEEP	NGP
25B	170N ADJUSTABLE SEAL	NGP
26C	16A RAIN DRIP	NGP
27	DOOR TOP CAP	STEELCRAFT

NGP 950 THRESHOLD GASKETING SYSTEM REQUIREMENTS FOR WATER INFILTRATION - MAXIMUM DESIGN PRESSURE RATING 75PSF FOR MAXIMUM DOOR SIZE OF 3'-0" X 7'-0" MAXIMUM DESIGN PRESSURE 50 PSF FOR MAXIMUM DOOR SIZE OF 4'-0" X 8'-0" (SEE ELEVATIONS SHEET 1)

FOR CONFIGURATIONS: 7 & 9 (SEE ELEVATIONS SHEET 1)



BOTTOM OF DOOR WEATHERSTRIPPING AND SILL INSTALLATION



NOTES:
 1. SLOT LOCATIONS MAY VARY WITH DIFFERENT DOOR WIDTH.
 2. DOOR SWEEP RIGID SECTION IS MADE OF PRO-FAX #PD-199 POLYPROPYLENE HOMOPOLYMER.
 3. DOOR SWEEP FLEXIBLE SECTION IS MADE OF SANTOPRENE #101-73
 4. FAS-SEAL DOOR SWEEP (15), AND THRESHOLD (12A OR 12B) AS APPLICABLE ARE REQUIRED FOR ALL INSTALLATIONS.
 5. SEAL ALL JOINTS WHERE FRAME MEETS WALL WITH BUTYL RUBBER OR 100% SILICONE CAULK
 6. INSTALL THRESHOLD INTO BEAD OF BUTYL RUBBER OR 100% SILICONE CAULK FULL LENGTH OF SILL

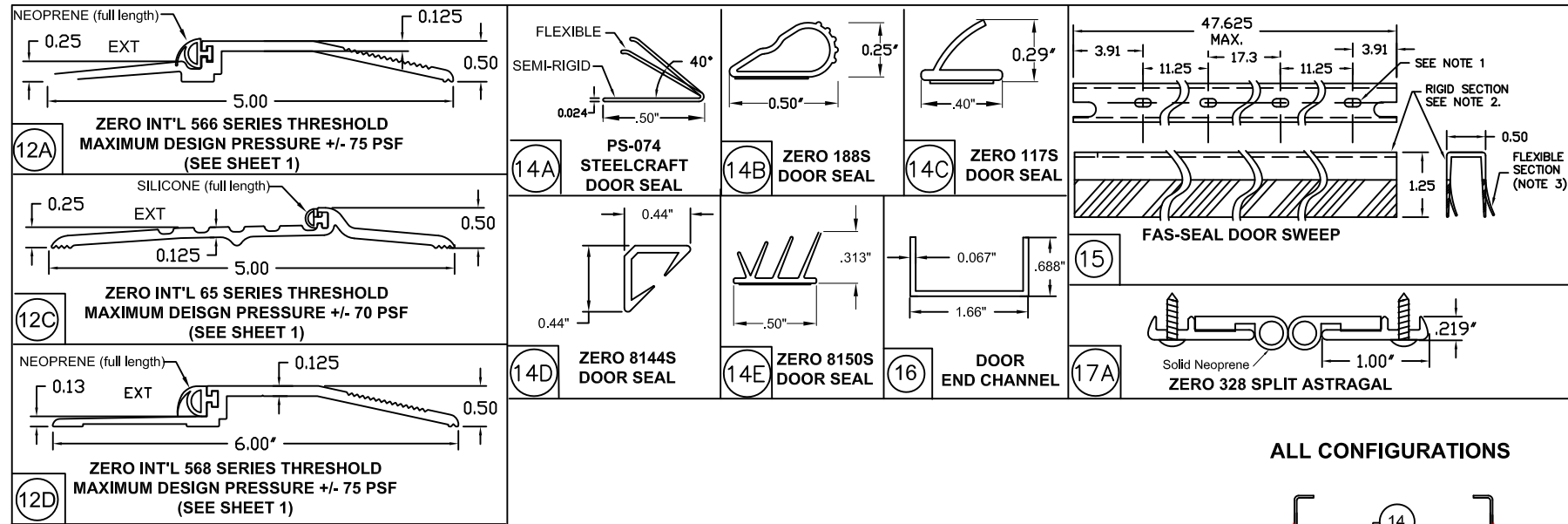
REVISIONS				
LTR	DESCRIPTION	DATE	APPROVED	
C	REVISED DWG	RAP	12/14/07	
D	REVISED DWG	YMF	12/14/08	
E	REVISED DWG	YMF	02/05/09	
F	REVISED DWG	YMF	01/04/10	
G	REVISED DWG	YMF	04/08/10	
H	REVISED NAME	JPD	11/01/13	
J	REVISED DWG	JPD	02/01/15	
K	REVISED DWG	JPD	06/30/15	
L	ENGINEER CHANGE	LMS	12/01/16	
M	REVISED DWG	JPD	07/18/18	



BEND RADIUS	SCHLAGE LOCK COMPANY, LLC 11819 N. PENNSYLVANIA STREET CARMEL, IN 46032			
THIRD ANGLE PROJECTION	TITLE: STEELCRAFT H SERIES DOUBLE GLAZED OUTSWING COMMERCIAL STEEL DOORS WITH AND WITHOUT PANIC EXIT DEVICES			
DRAWN YMF	DATE 05/20/07	DOUBLE GLAZED DOOR PERIMETER SEAL HARDWARE APPROVED WHERE WATER INFILTRATION IS REQUIRED		
CHECKED		SIZE FLAT	DWG NO. IRGD07	REV M
APPROVED		SCALE NTS	AUTOCAD	SHEET 6 of 20
ENG. APPVL JPD	10/11/07			

TABLE 4.1 NON WATER RATED PERIMETER SEAL HARDWARE - ZERO INT'L THRESHOLDS

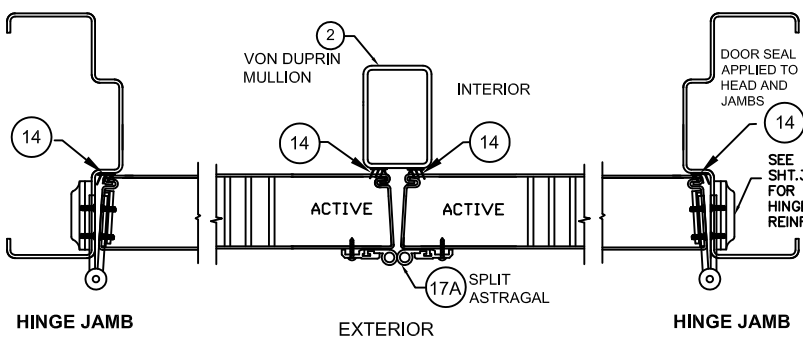
ITEM NUMBER	MODEL No./ DESCRIPTION	MFG.
12	12A 566 THRESHOLD	ZERO INT'L
	12C 65 THRESHOLD	ZERO INT'L
	12D 568 THRESHOLD	ZERO INT'L
14	14A PS074 DOOR SEAL	STEELCRAFT
	14B 188S DOOR SEAL	ZERO INT'L
	14C 117S DOOR SEAL	ZERO INT'L
	14D 8144S DOOR SEAL	ZERO INT'L
	14E 8150S DOOR SEAL	ZERO INT'L
15	FAS-SEAL SWEEP	STEELCRAFT
16	END CHANNEL	STEELCRAFT
17A	328 SPLIT ASTRAGAL	ZERO INT'L



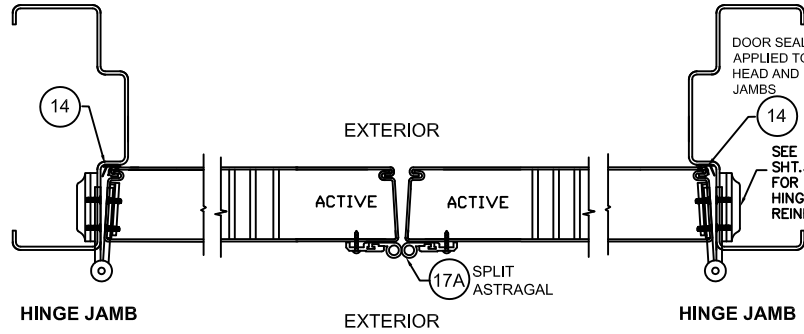
ZERO INT'L 566, 65 AND 568 THRESHOLD GASKETING SYSTEM REQUIREMENTS WHEN WATER INFILTRATION IS NOT REQUIRED
MAXIMUM DESIGN PRESSURE RATING 75PSF - MAXIMUM DOOR SIZE 4'-0" X 8'-0"
 (SEE ELEVATIONS SHEET 1)

REVISIONS				
LTR	DESCRIPTION	DATE	APPROVED	
A	APPROVAL DWG	YMF	05/20/07	
C	REVISED DWG	YMF	12/14/07	
D	REVISED DWG	YMF	12/14/08	
E	REVISED PER_MDBCCD	YMF	02/05/09	
F	REVISED PER_MDBCCD	YMF	01/04/10	
G	REVISED PER_MDBCCD	YMF	04/08/10	
H	REVISED NAME	JPD	11/01/13	
J	REVISED DWG	JPD	02/01/15	
K	REVISED DWG	JPD	06/30/15	
L	ENGINEER CHANGE	LMS	12/01/16	
M	REVISED DWG	JPD	07/18/18	

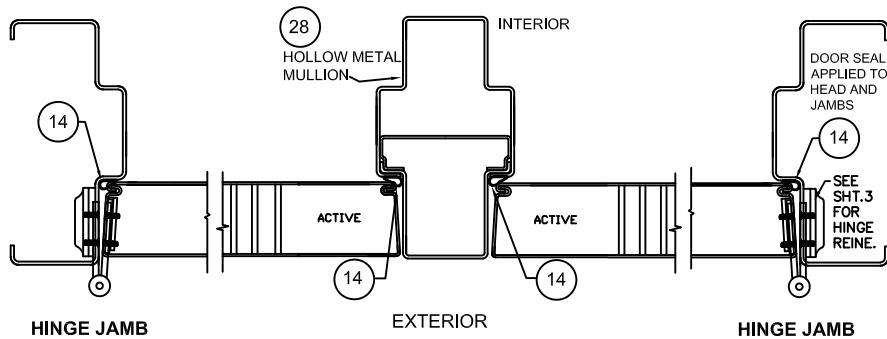
FOR CONFIGURATIONS: 1, 2, 3A, 3B, 6 & 8 (SEE ELEVATIONS SHEET 1)



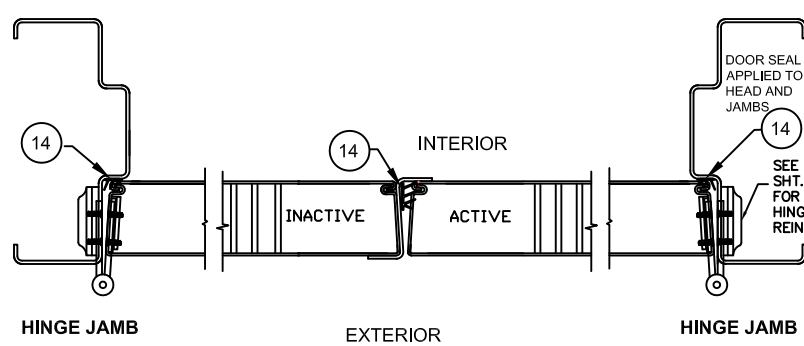
FOR CONFIGURATIONS: 4 & 5 (SEE ELEVATIONS SHEET 1)



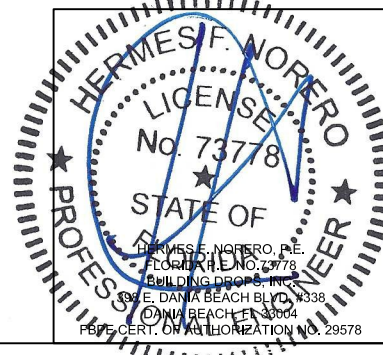
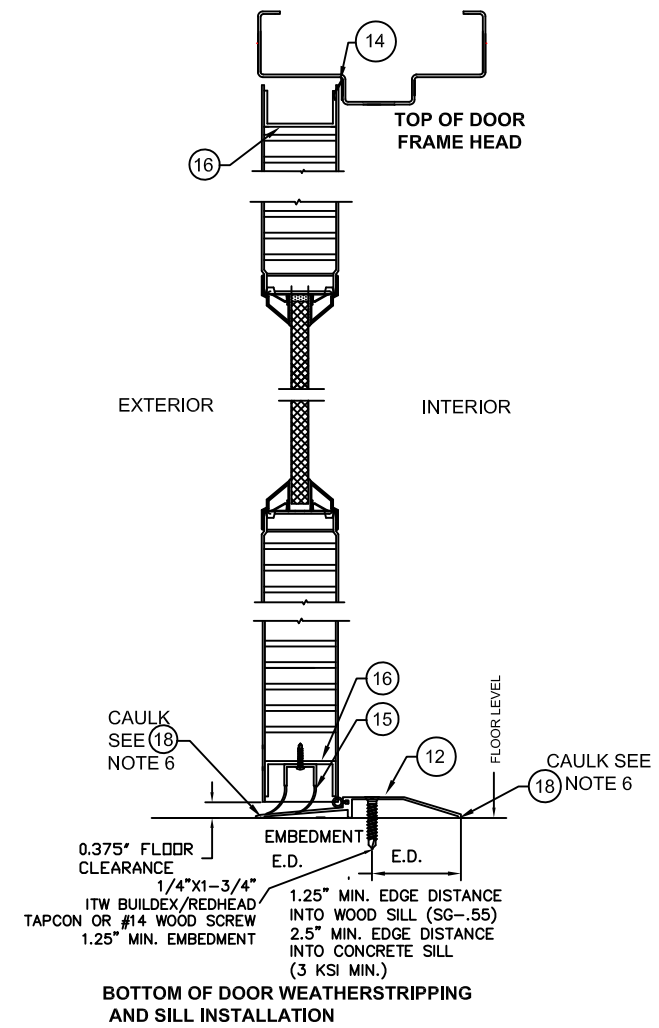
FOR CONFIGURATIONS: 7 & 9 (SEE ELEVATIONS SHEET 1)



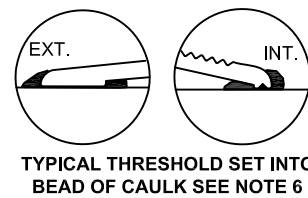
FOR CONFIGURATIONS: 10 & 11 (SEE ELEVATIONS SHEET 1)



ALL CONFIGURATIONS



- NOTES:
 1. SLOT LOCATIONS MAY VARY WITH DIFFERENT DOOR WIDTH.
 2. DOOR SWEEP RIGID SECTION IS MADE OF PRO-FAX #PD-199 POLYPROPYLENE HOMOPOLYMER.
 3. DOOR SWEEP FLEXIBLE SECTION IS MADE OF SANTOPRENE #101-73
 4. FAS-SEAL DOOR SWEEP (15), DOOR SEAL (14A, 14B, 14C, 14D, 14E) AND THRESHOLD (12A, 12C, 12D) AS APPLICABLE, ARE REQUIRED FOR ALL INSTALLATIONS.
 5. SEAL ALL JOINTS WHERE FRAME MEETS WALL WITH BUTYL RUBBER OR 100% SILICONE CAULK
 6. INSTALL THRESHOLD INTO BEAD OF BUTYL RUBBER OR 100% SILICONE CAULK FULL LENGTH OF SILL

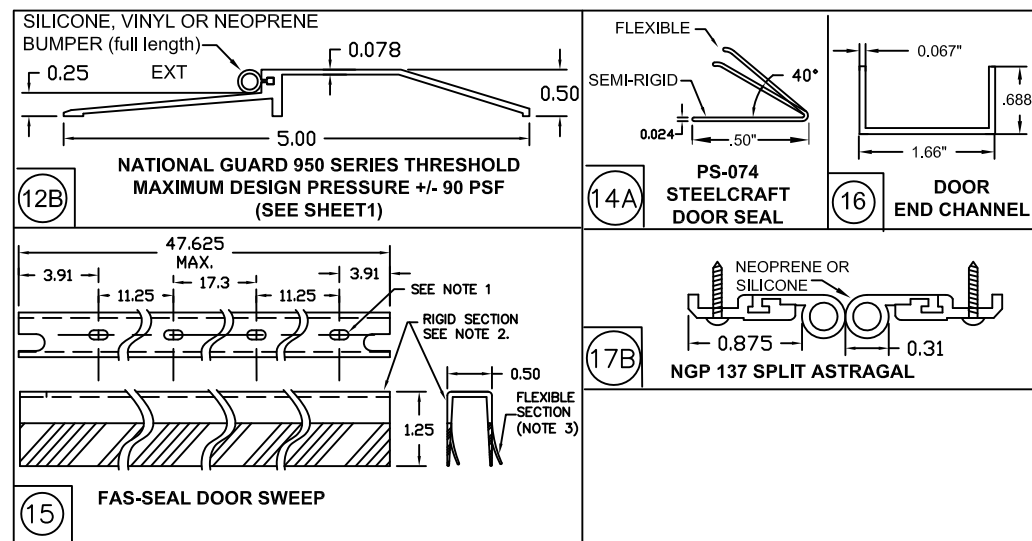


BEND RADIUS		SCHLAGE LOCK COMPANY, LLC 11819 N. PENNSYLVANIA STREET CARMEN, IN 46032	
THIRD ANGLE PROJECTION		TITLE: STEELCRAFT H SERIES DOUBLE GLAZED OUTSWING COMMERCIAL STEEL DOORS WITH AND WITHOUT PANIC EXIT DEVICES	
DRAWN YMF	DATE 05/20/07	DOUBLE GLAZED DOOR PERIMETER SEAL ZERO INT'L HARDWARE APPROVED WHERE WATER INFILTRATION IS NOT REQUIRED	
CHECKED		SIZE FLAT	DWG NO. IRGD07
APPROVED		SCALE NTS	AUTOCAD
ENG. APPVL JPD	10/11/07	SHEET 7 of 20	REV M

TABLE 4.2 PERIMETER SEAL HARDWARE - NGP THRESHOLD

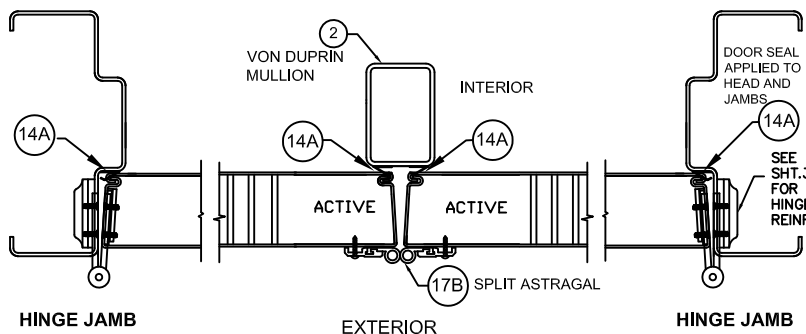
ITEM NUMBER	MODEL No./ DESCRIPTION	MFG.
12B	950 THRESHOLD	NGP
14A	PS074 DOOR SEAL	STEELCRAFT
15	FAS-SEAL SWEEP	STEELCRAFT
16	END CHANNEL	STEELCRAFT
17B	137 SPLIT ASTRAGAL	NGP

NGP 950 THRESHOLD GASKETING SYSTEM REQUIREMENTS WHEN WATER INFILTRATION IS NOT REQUIRED - MAXIMUM DESIGN PRESSURE 90 PSF FOR MAXIMUM DOOR SIZE OF 4'-0" X 8'-0" (SEE ELEVATIONS SHEET 1)

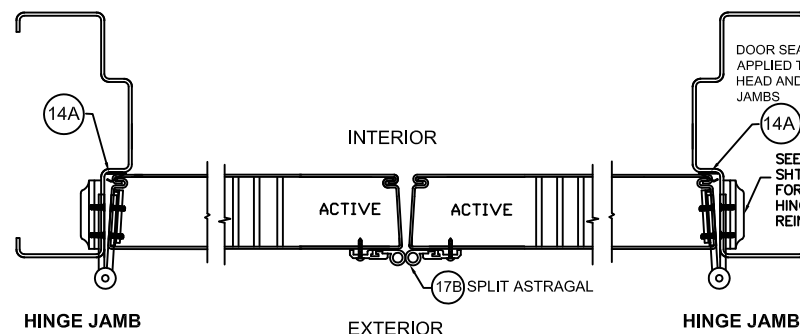


REVISIONS				
LTR	DESCRIPTION	DATE	APPROVED	
A	APPROVAL DWG	YMF	05/20/07	
C	REVISED DWG	YMF	12/14/07	
D	REVISED DWG	YMF	12/14/08	
E	REVISED DWG	YMF	02/05/09	
F	REVISED DWG	YMF	01/04/10	
G	REVISED DWG	YMF	04/08/10	
H	REVISED NAME	JPD	11/01/13	
J	REVISED DWG	JPD	02/01/15	
K	REVISED DWG	JPD	06/30/15	
L	ENGINEER CHANGE	LMS	12/01/16	
M	REVISED DWG	JPD	07/18/18	

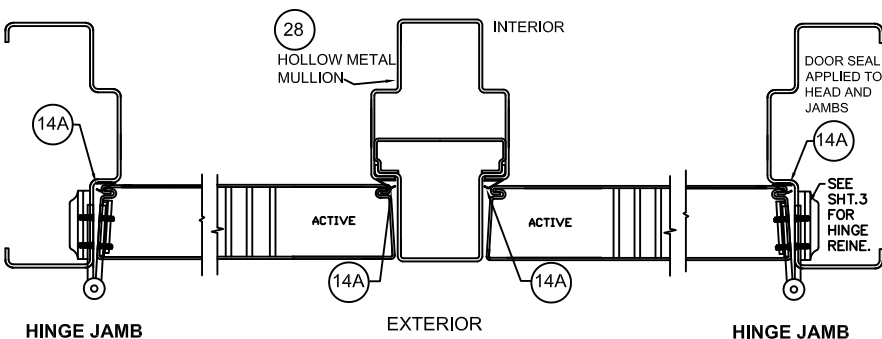
FOR CONFIGURATIONS: 1, 2, 3A, 3B, 6 & 8 (SEE ELEVATIONS SHEET 1)



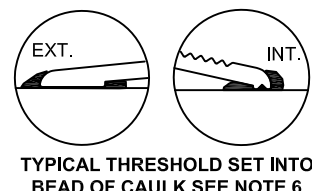
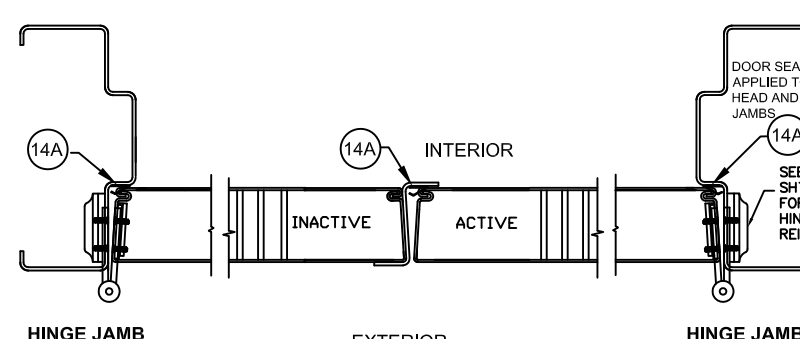
FOR CONFIGURATIONS: 4 & 5 (SEE ELEVATIONS SHEET 1)



FOR CONFIGURATIONS: 7 & 9 (SEE ELEVATIONS SHEET 1)

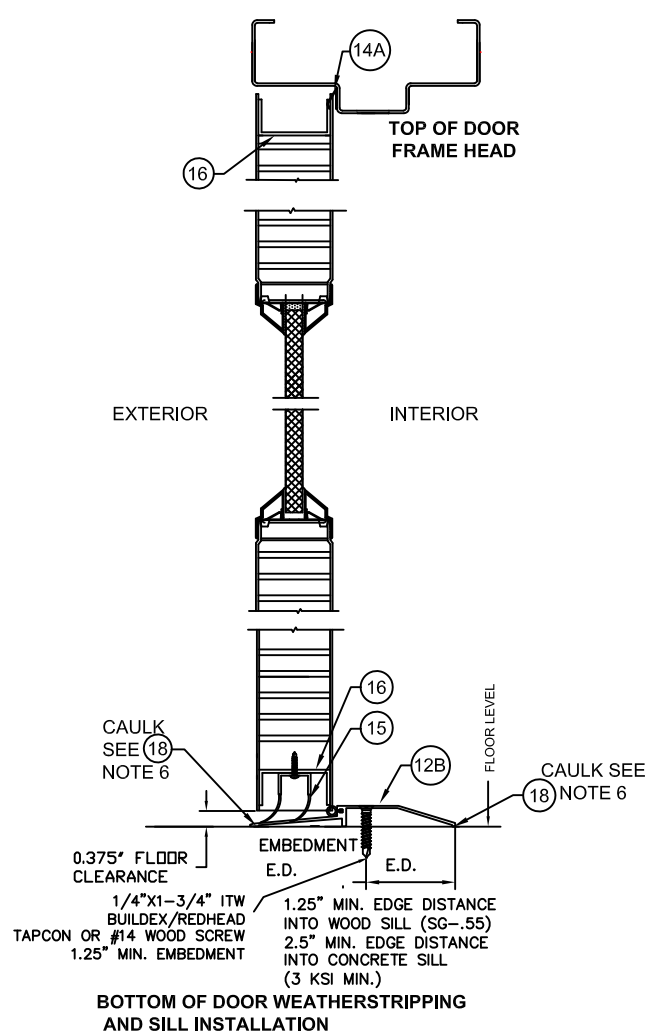


FOR CONFIGURATIONS: 10 & 11 (SEE ELEVATIONS SHEET 1)



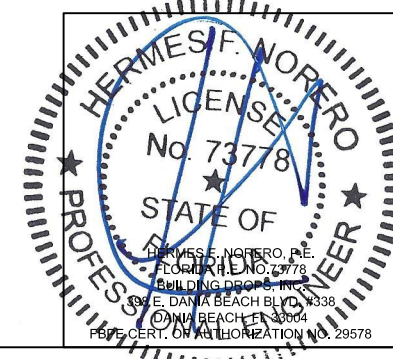
TYPICAL THRESHOLD SET INTO BEAD OF CAULK SEE NOTE 6

ALL CONFIGURATIONS

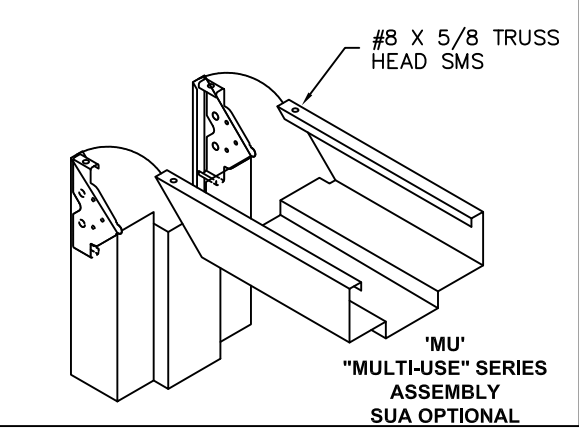
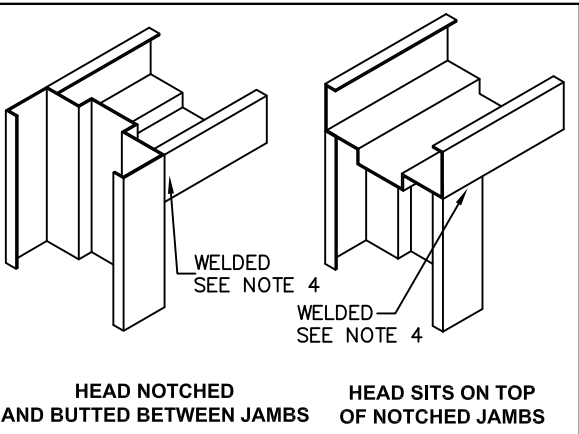
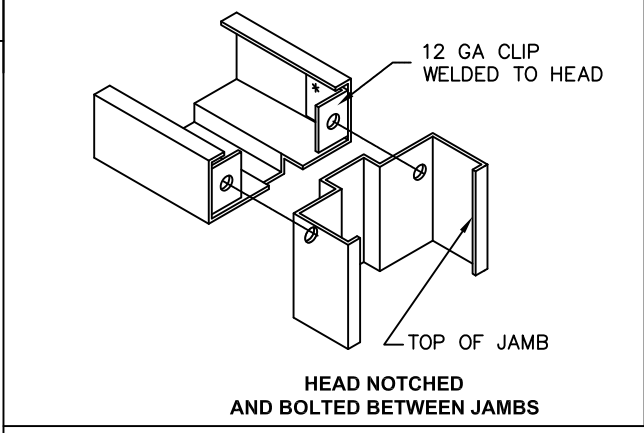
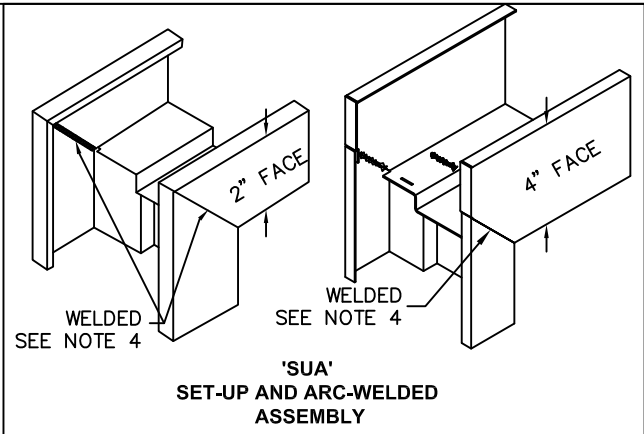
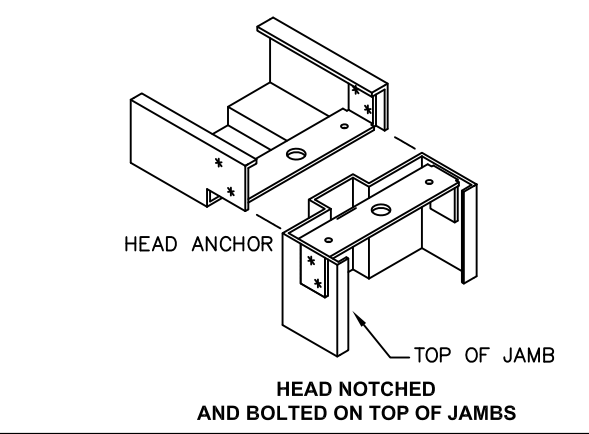
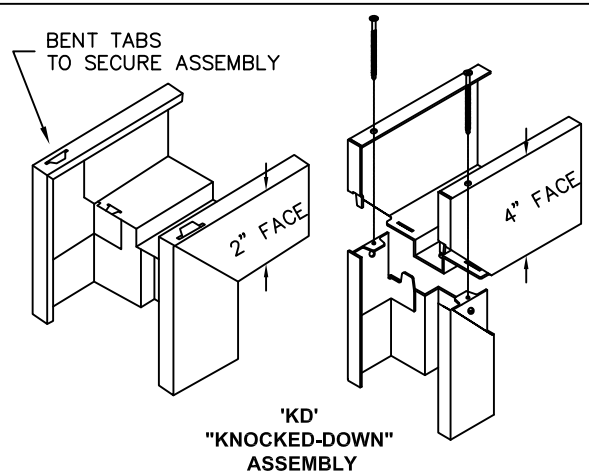


BOTTOM OF DOOR WEATHERSTRIPPING AND SILL INSTALLATION

- NOTES:
1. SLOT LOCATIONS MAY VARY WITH DIFFERENT DOOR WIDTH.
 2. DOOR SWEEP RIGID SECTION IS MADE OF PRO-FAX #PD-199 POLYPROPYLENE HOMOPOLYMER.
 3. DOOR SWEEP FLEXIBLE SECTION IS MADE OF SANTOPRENE #101-73
 4. FAS-SEAL DOOR SWEEP (15), DOOR SEAL (14A) AND THRESHOLD (12B) AS APPLICABLE, ARE REQUIRED FOR ALL INSTALLATIONS.
 5. SEAL ALL JOINTS WHERE FRAME MEETS WALL WITH BUTYL RUBBER OR 100% SILICONE CAULK
 6. INSTALL THRESHOLD INTO BEAD OF BUTYL RUBBER OR 100% SILICONE CAULK FULL LENGTH OF SILL



BEND RADIUS		SCHLAGE LOCK COMPANY, LLC 11819 N. PENNSYLVANIA STREET CARMEL, IN 46032		
THIRD ANGLE PROJECTION		TITLE: STEELCRAFT H SERIES DOUBLE GLAZED OUTSWING COMMERCIAL STEEL DOORS WITH AND WITHOUT PANIC EXIT DEVICES		
DRAWN YMF	DATE 05/20/07	DOUBLE GLAZED DOOR PERIMETER NGP SEAL HARDWARE APPROVED WHERE WATER INFILTRATION IS NOT REQUIRED		
CHECKED		SIZE	FLAT	DWG NO. IRGD07
APPROVED		SCALE:	NTS	AUTOCAD
ENG. APPVL JPD	10/11/07	SHEET	8 of 20	



NOTES:

1. DOOR CONSTRUCTION
 - 1.1. NOMINAL DOOR THICKNESS - 1 3/4"
 - 1.2. DOOR SIZE MAY VARY, SUBJECTED TO COMPLIANCE WITH FLORIDA BUILDING CODE AND PRODUCT AVAILABILITY FROM MANUFACTURER (SEE SHEET 2 FOR AVAILABLE HARDWARE)
2. FRAME CONSTRUCTION
 - 2.1. MINIMUM JAMB DEPTH - 5 3/4", STOP HEIGHT - 5/8"
 - 2.2. FRAMES AVAILABLE AS FLUSH (F-SERIES) AND MULT-USE (MU-SERIES) (SEE TABLE 6)
3. FOR MATERIAL SPECIFICATIONS REFERENCE SEE TABLE 7.
4. CONTINUOUS BACK WELD WITH FULL PENETRATION TO FACE SEAM, GRIND, SMOOTH, PRIME, & PAINT. WELD CLASSIFICATION - E70XX.

REVISIONS				
LTR	DESCRIPTION	DATE	APPROVED	
A	APPROVAL DWG	YMF	05/20/07	
C	REVISED DWG	RAP	12/14/07	
D	REVISED DWG	YMF	12/14/08	
E	REVISED PER_MDBCCO	YMF	02/05/09	
F	REVISED PER-MDBCCO	YMF	01/04/10	
G	REVISED PER_MDBCCO	YMF	04/08/10	
H	REVISED NAME	JPD	11/01/13	
J	REVISED DWG	JPD	02/01/15	
K	REVISED DWG	JPD	06/30/15	
L	ENGINEER CHANGE	LMS	12/01/16	
M	REVISED DWG	JPD	07/18/18	

TABLE 6. AVAILABLE STEELCRAFT FRAME CONFIGURATIONS

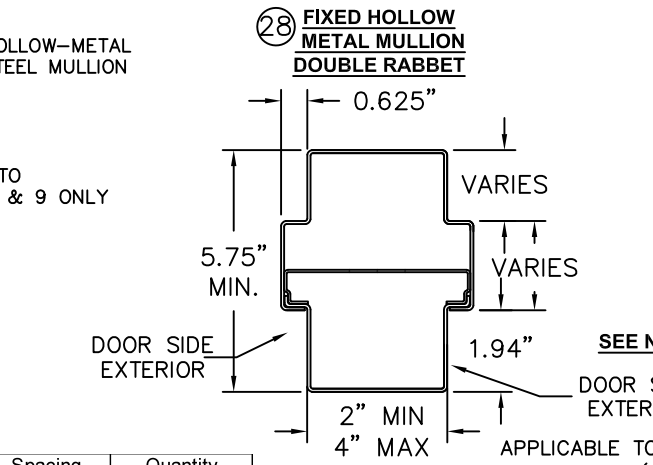
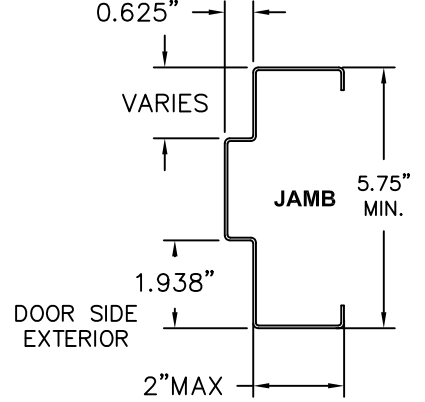
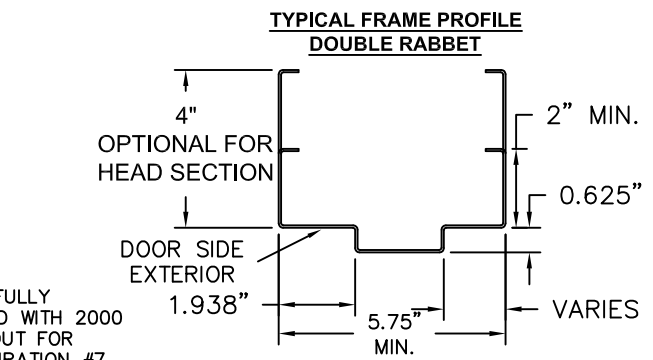
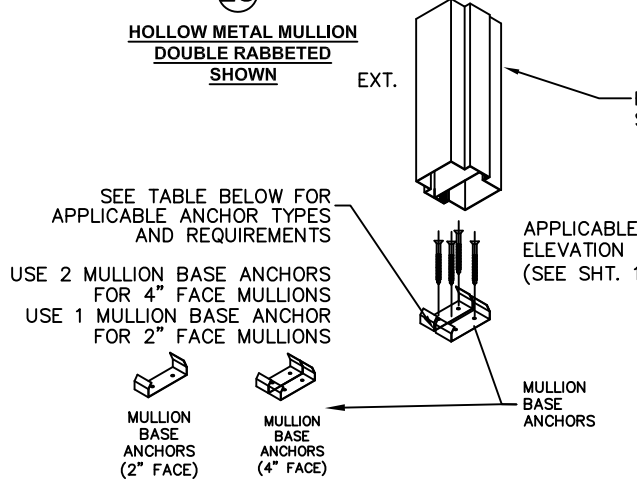
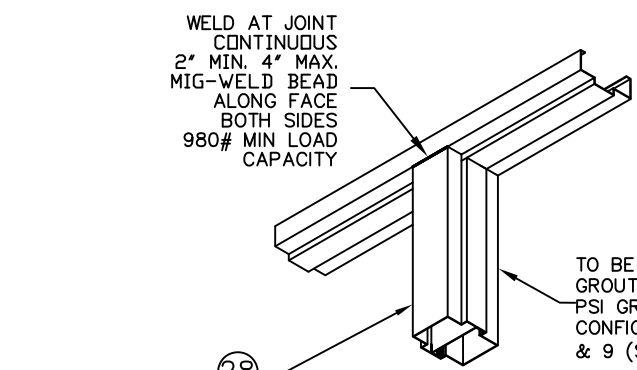
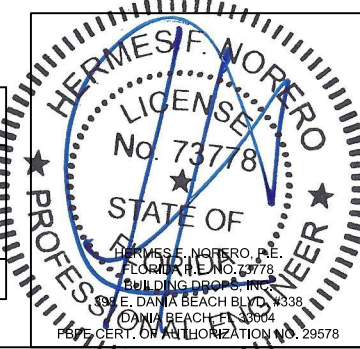
FRAME SERIES	JAMB DEPTH	MAX. OPENING SIZE		MATERIAL	
		WIDTH	HEIGHT	DESCR.	GA./MIN. THK
F	5.75" MIN.	8'0"	8'0"	CRS/HRS GALV	16/.053" 14/.067" 12/.099"
				STAINLESS STEEL	16/.053"
MU	5.75" MIN.	8'0"	8'0"	CRS/HRS GALV	16/.053" 14/.067"

TABLE 5. AVAILABLE STEELCRAFT DOOR CONFIGURATIONS

CORE MATERIAL PER SHT.16	MAXIMUM OPENING SIZE		SKIN MATERIAL	
	WIDTH	HEIGHT	DESCR.	GA./MIN. THK
HONEYCOMB POLYSTYRENE POLYURETHANE (POLYISOCYANURATE) TEMPERATURE RISE STEEL STIFFENED	VARIES SEE SHEET 2 TABLE 1		CRS GALV	16/.053" 14/.067"
HONEYCOMB POLYSTYRENE POLYURETHANE	VARIES SEE SHEET 2 TABLE 1		STAINLESS STEEL	16/.053"

TABLE 7. STEEL MECHANICAL PROPERTIES

MATERIAL	ASTM REF.	YIELD KSI	TENSILE KSI
CRS	A366	MIN. 41.5	MIN. 52.4
HRS	A1011		
GALV: A60	A924	MIN. 41.5	MIN. 73.2
SS: 304,316	A240		



Anchor	Embedment	Edge Distance	Conc. Strength	Spacing	Quantity
Elco 5/16" Ultracon	2"	3.75"	3515 psi	3-3/8" Thru Base Anchor	2 per Base Anchor (2 for 2" Face 4 for 4" Face)
Powers 3/8" Power-Bolt	2"		3000 psi		
Powers 3/8" Lok Bolt AS	1-1/4"				
Hilti 3/8" Kwik Bolt 3	1-5/8"				
Dewalt 3/8" Screw-Bolt+	2"				

HOLLOW MULLION MATERIAL: MINIMUM THICKNESS IS 0.053" (16 Ga.)
 MINIMUM YIELD STRENGTH = 58,000 PSI
 MINIMUM TENSILE STRENGTH = 45,700 PSI

BEND RADIUS

THIRD ANGLE PROJECTION

DRAWN: YMF

CHECKED:

APPROVED:

ENG. APPVL: JPD

MULLION BASE ANCHORS

DATE: 05/20/07

10/12/07

SCHLAGE LOCK COMPANY, LLC
 11819 N. PENNSYLVANIA STREET
 CARMEL, IN 46032

TITLE: STEELCRAFT H SERIES DOUBLE OUTSWING GLAZED COMMERCIAL STEEL DOORS WITH AND WITHOUT PANIC EXIT DEVICES
 FRAME PROFILE, CORNER DETAILS AND DOOR FRAME MATERIAL, AND SIZE OPTIONS

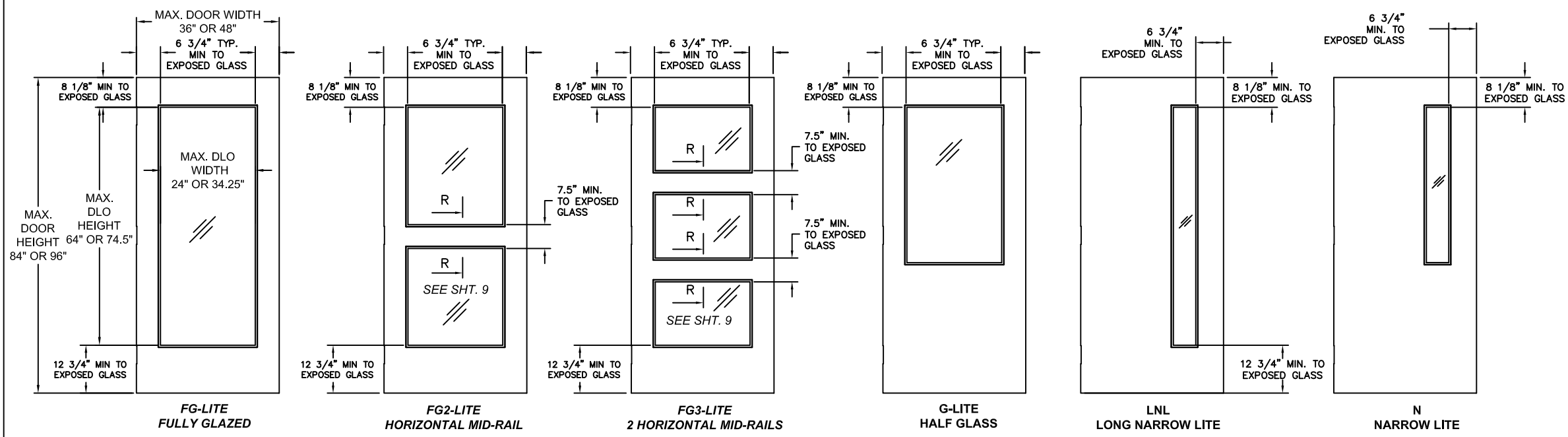
SIZE: FLAT

DWG NO.: IRGD07

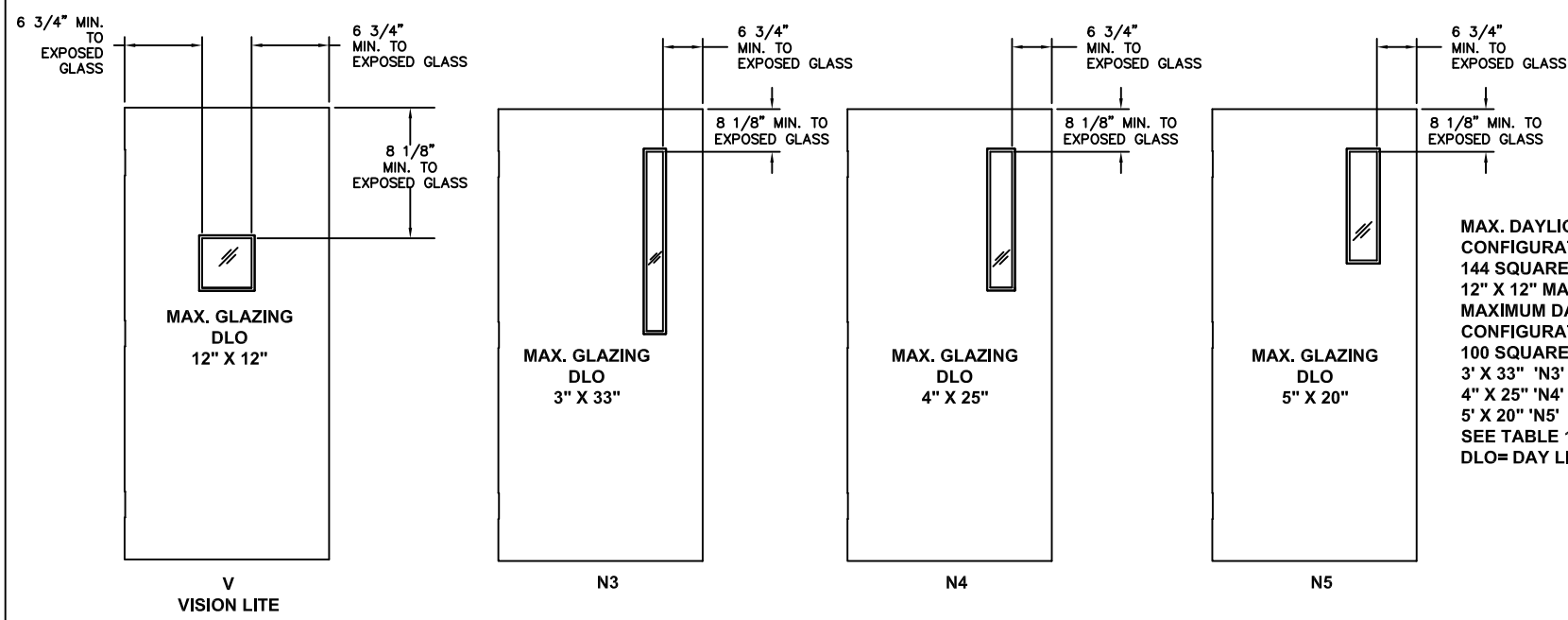
SCALE: NTS AUTOCAD

SHEET 9 of 20

REV M



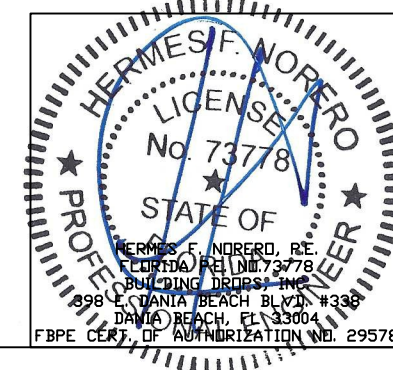
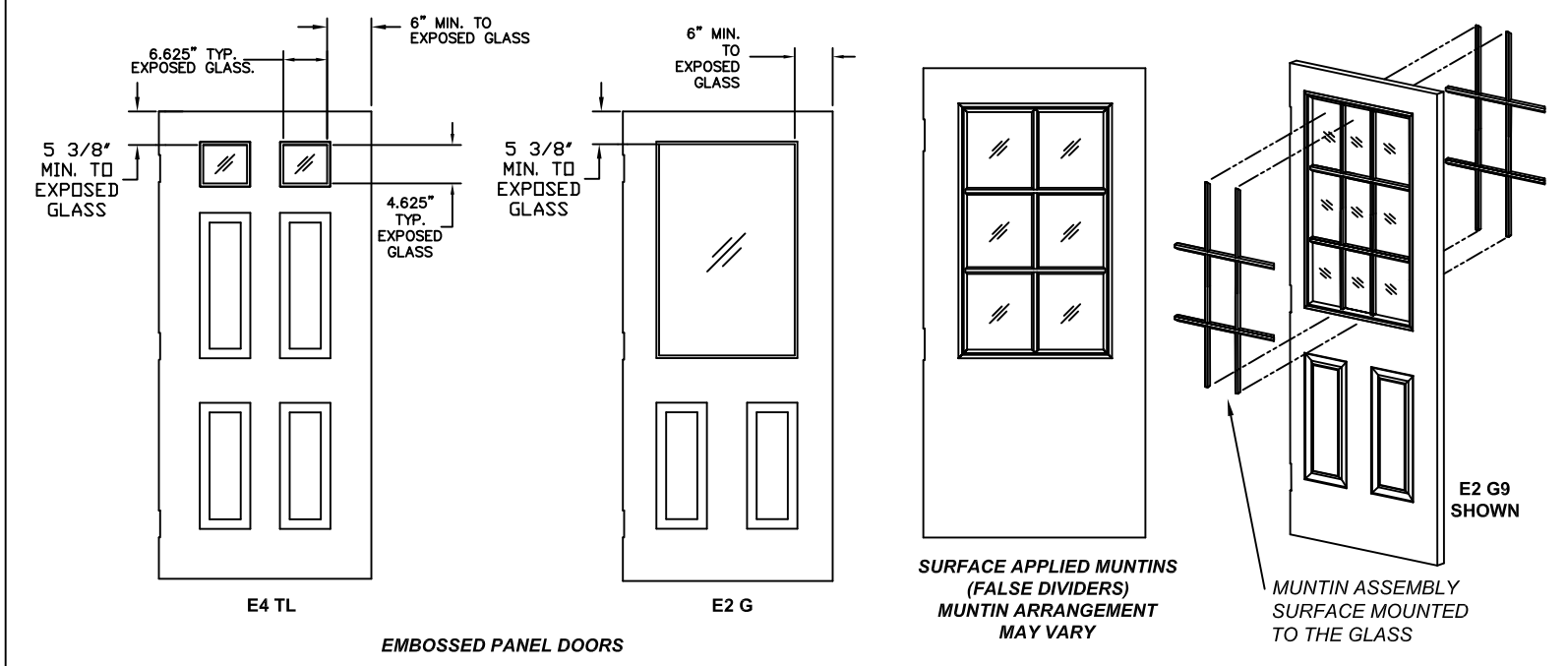
REVISIONS				
LTR	DESCRIPTION	DATE	APPROVED	
A	APPROVAL DWG	YMF	05/20/07	
C	REVISED DWG	RAP	12/12/07	
D	REVISED DWG	YMF	12/15/08	
E	REVISED PER_MDBCCO	YMF	12/15/08	
F	REVISED PER_MDBCCO	YMF	01/04/10	
G	REVISED PER_MDBCCO	YMF	04/08/10	
H	REVISED NAME	JPD	11/01/13	
J	REVISED DWG	JPD	02/01/15	
K	REVISED DWG	JPD	06/30/15	
L	CHANGE OF EDR	LMS	12/01/16	
M	REVISED DWG	JPD	07/18/18	



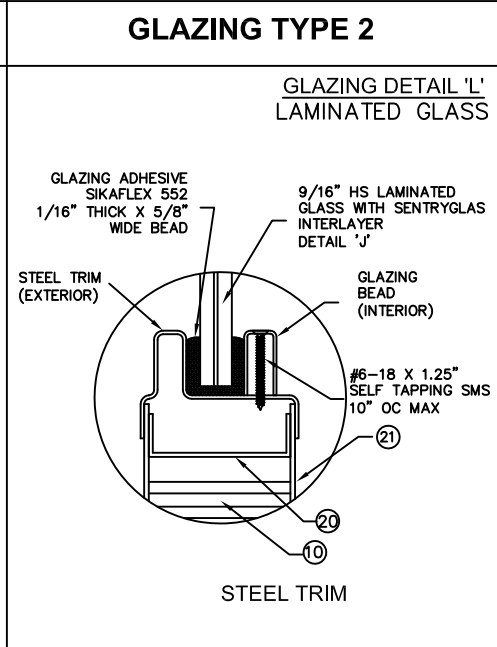
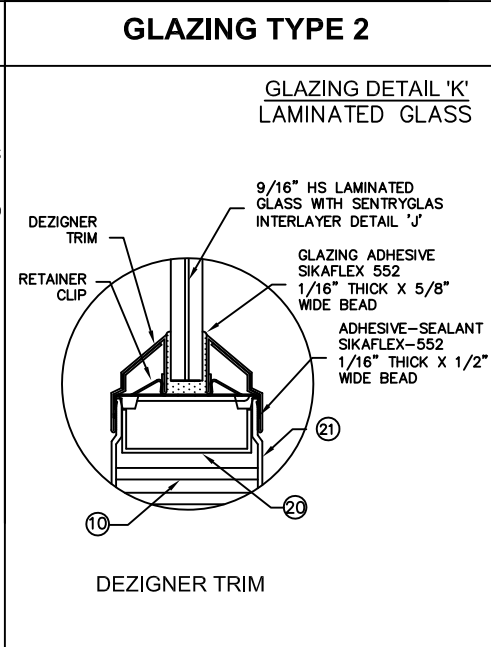
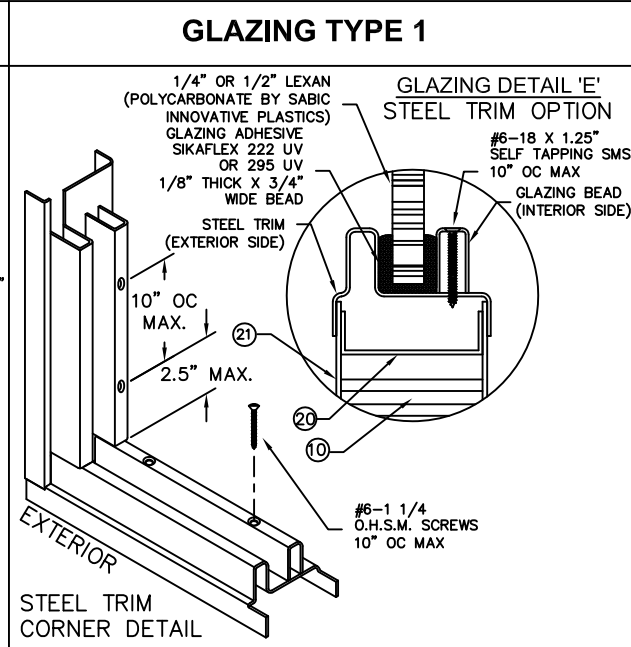
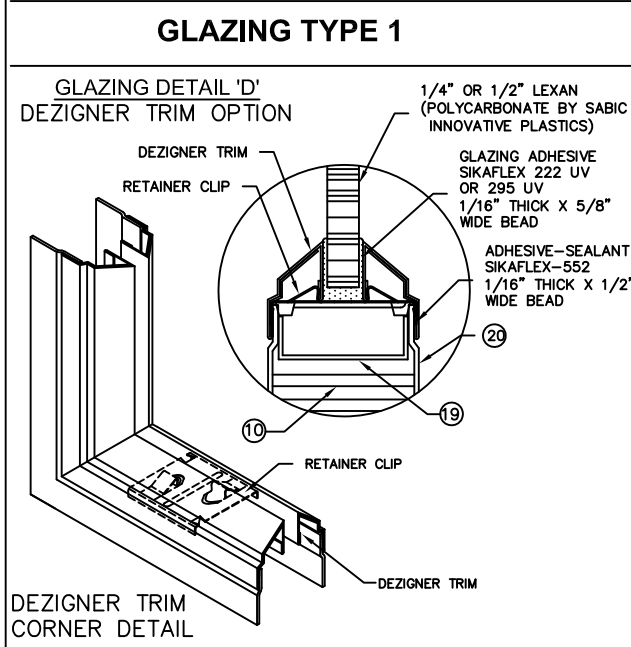
MAX. DAYLIGHT OPENING FOR CONFIGURATION 3A IS 144 SQUARE INCHES
12" X 12" MAX. 'V' VISION LITE
MAXIMUM DAYLIGHT OPENING FOR CONFIGURATION 3B IS 100 SQUARE INCHES DLO
3" X 33" 'N3'
4" X 25" 'N4'
5" X 20" 'N5'
SEE TABLE 1 SHEET 2
DLO= DAY LIGHT OPENING

NOTES:

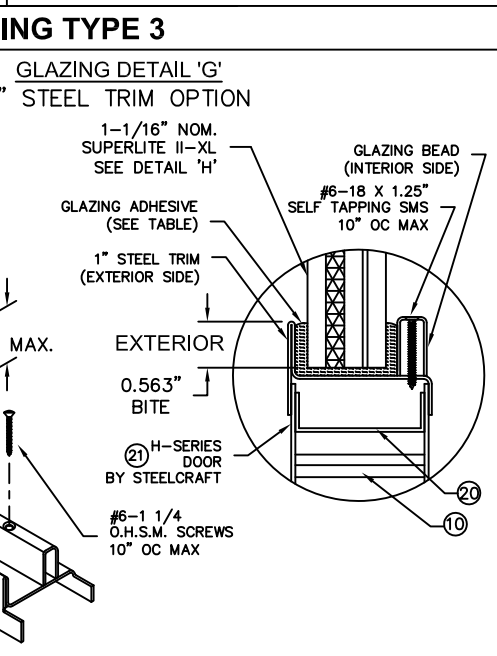
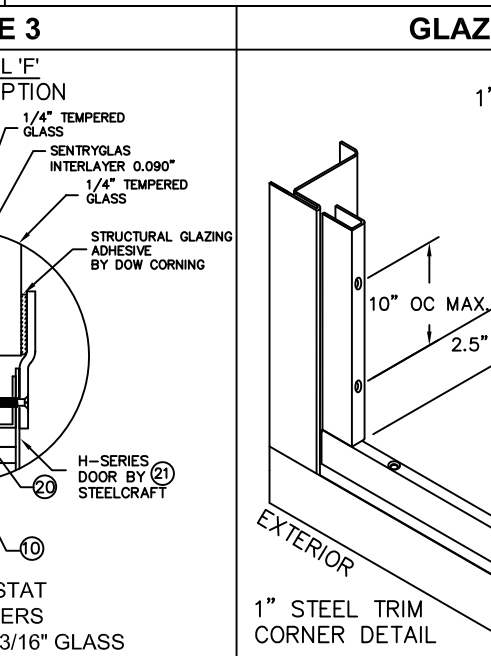
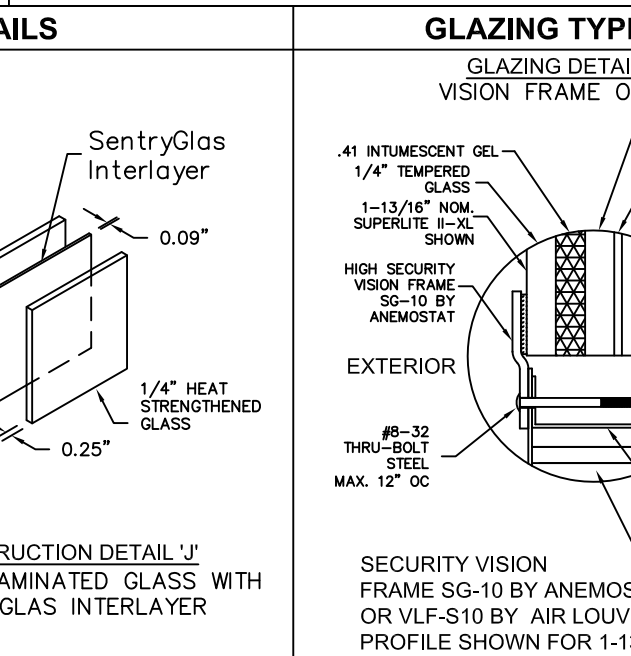
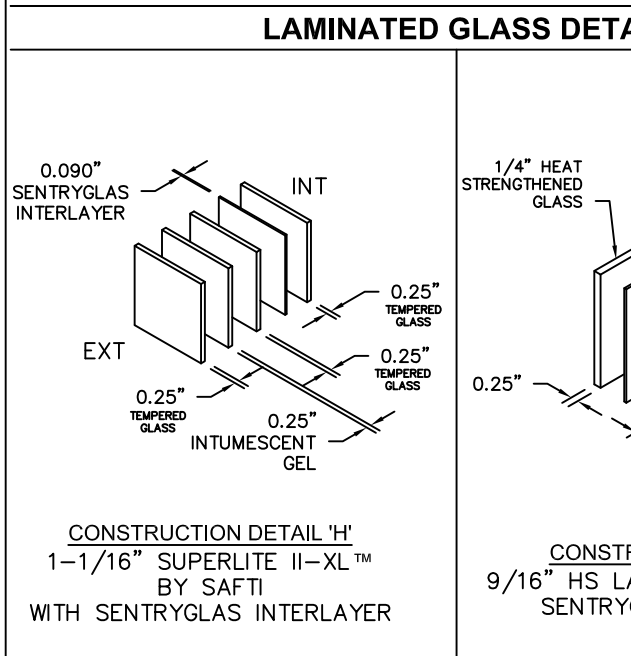
- DOOR CONSTRUCTION
- NOMINAL DOOR THICKNESS - 1 3/4"
- ALL GLASS LITE TYPES SHOWN ON THIS SHEET ARE AVAILABLE FOR ALL DOOR CONFIGURATIONS SHOWN ON SHEET 1 AND TABLE 1 SHEET 2 EXCEPT FOR CONFIGURATIONS 3A AND 3B. SEE NOTE 4
- DOOR CONFIGURATION 3A AVAILABLE WITH 'V' VISION LITE AND 3B IS AVAILABLE WITH N3, N4 AND N5 TYPE LITE. (SEE TABLE 1 SHEET 2)
- MAXIMUM GLAZING DLO HEIGHT AND WIDTH AS PER SHEETS 1, 2, AND 10.
- GLAZING OPENING DLO SIZE WILL CHANGE IN PROPORTION WITH DOOR SIZE.(SEE TABLE 1 SHEET 2 FOR LIMITATIONS)
- DOOR SIZE MAY VARY, SUBJECTED TO COMPLIANCE WITH FLORIDA BUILDING CODE AND PRODUCT AVAILABILITY FROM MANUFACTURER.
- GLASS LITES NOT LIMITED TO THOSE SHOWN, PROVIDED DIMENSIONS SHOWN ARE MAINTAINED. SEE TABLE 1 SHEET 2)
- DOORS WITH MULTIPLE GLASS LITES ARE NOT LIMITED TO THE DESIGNS SHOWN, PROVIDED THE DIMENSIONS SHOWN ARE MAINTAINED.(SEE TABLE 1 SHEET 2 FOR LIMITATIONS)
- WHEN USING A CONTINUOUS HINGE THE MINIMUM DISTANCE FROM THE EDGE OF THE DOOR TO EXPOSED GLASS IS 6-1/4" AT STILES AND 7-1/2" AT MID RAILS.
- DLO = DAYLIGHT OPENING (SEE TABLE 1 SHEET 2 FOR LIMITATIONS)



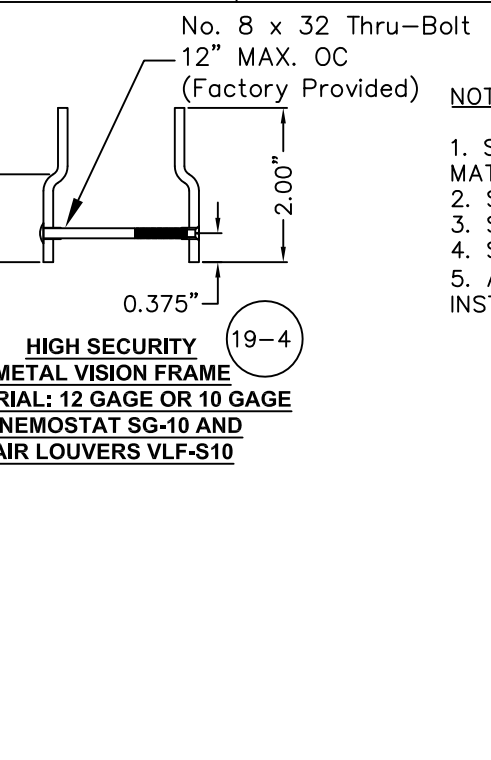
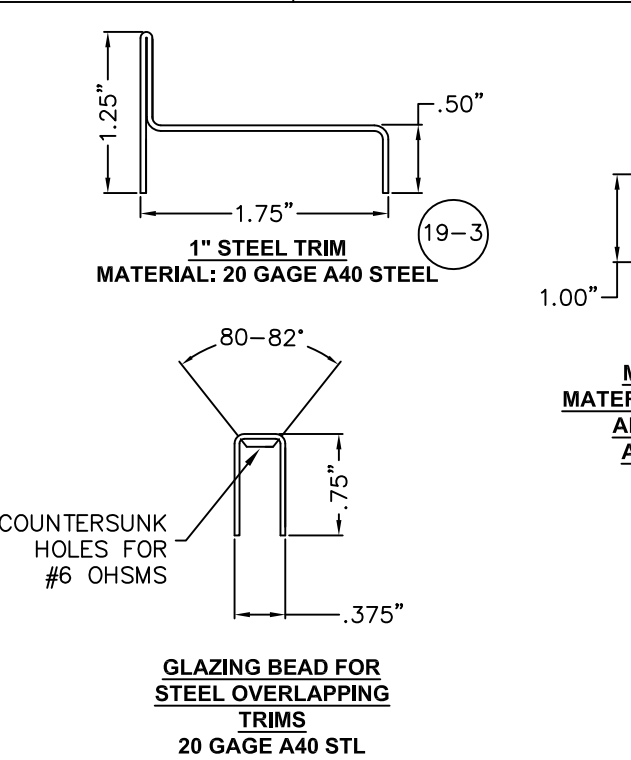
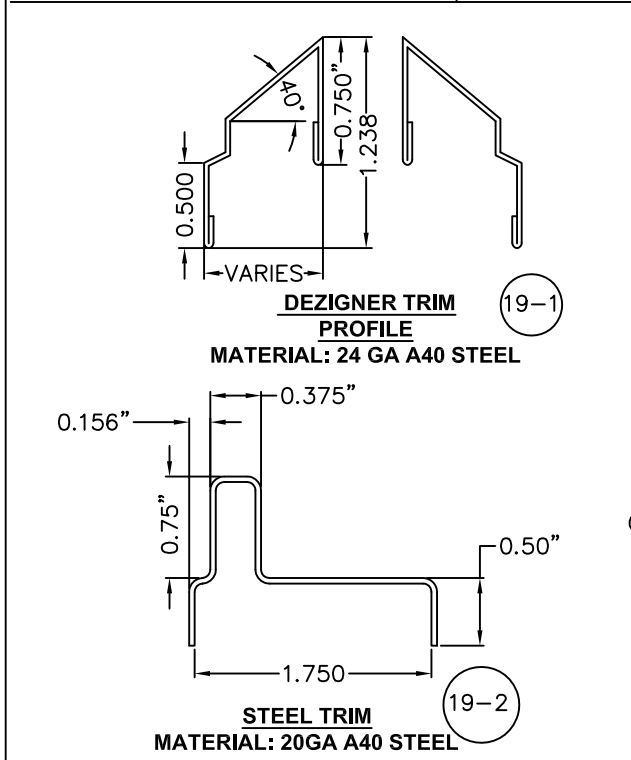
BEND RADIUS		SCHLAGE LOCK COMPANY, LLC 11819 N. PENNSYLVANIA STREET CARMEL, IN 46032		
THIRD ANGLE PROJECTION		TITLE: STEELCRAFT H SERIES DOUBLE OUTSWING GLAZED COMMERCIAL STEEL DOORS WITH AND WITHOUT PANIC EXIT DEVICES		
DRAWN YMF	DATE 05/20/07	GLASS DOOR CONFIGURATIONS.		
CHECKED		SIZE	FLAT	DWG NO. IRGD07
APPROVED		SCALE:	NTS	AUTOCAD
ENG. APPVL JPD	11/15/07			SHEET 10 of 20



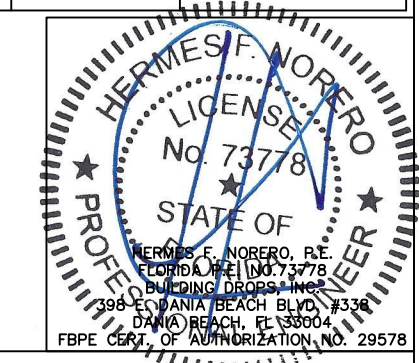
REVISIONS				
LTR	DESCRIPTION	DATE	APPROVED	
A	APPROVAL DWG.	YMF	05/20/07	
C	REVISED DWG.	RAP	12/12/07	
D	REVISED DWG.	YMF	12/15/08	
E	REVISED PER_MDBCCO	YMF	12/15/08	
F	REVISED PER_MDBCCO	YMF	01/04/10	
G	REVISED PER_MDBCCO	YMF	04/08/10	
H	REVISED NAME	JPD	11/01/13	
J	REVISED DWG	JPD	02/01/15	
K	REVISED DWG	JPD	06/30/15	
L	CHANGE OF EOR	LMS	12/01/16	
M	REVISED DWG	JPD	07/18/18	



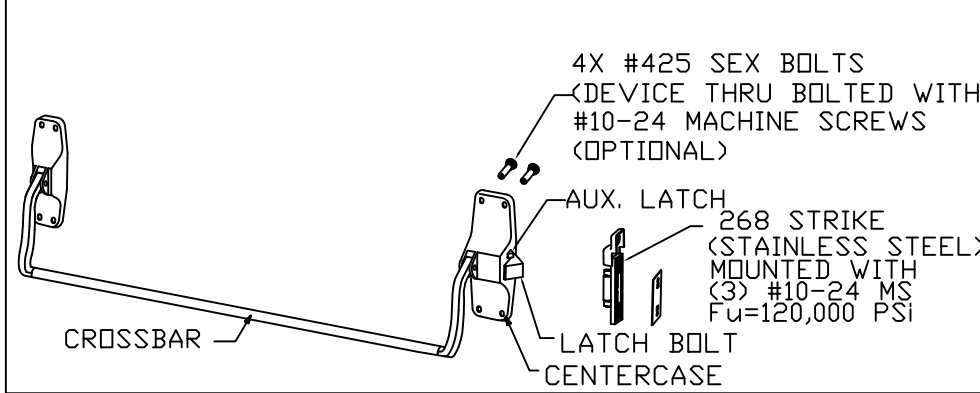
GLAZING TYPES AND METHODS				
TYPE	GLAZING MATERIAL	TRIM TYPE	SEALANT - ADHESIVE	GLAZING ADHESIVE
	1	LEXAN BY SABIC INNOVATIVE PLASTICS 1/4\"/>		
2	9/16\"/>			
3	SUPERLITE II-XL™ BY SAFTI WITH SENTRYGLAS INTERLAYER DETAILS 'H', 'F' & 'G'	1\"/>		



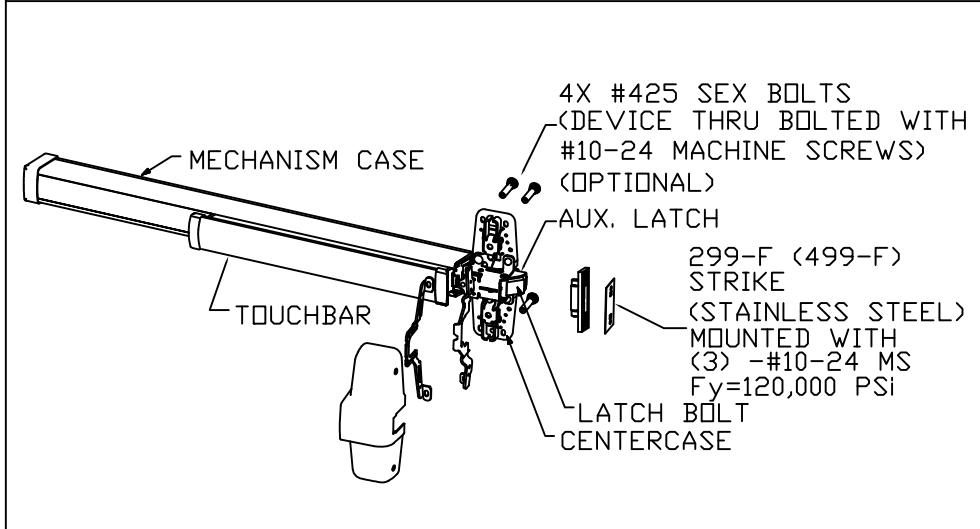
- NOTES:**
- SEE SHT.1 FOR ELEVATIONS, SHT.2 FOR SIZES AND SHT.9 FOR DOOR & FRAME MATERIAL SPECIFICATIONS.
 - SEE SHT.3 NOTE 2. AND SHEETS 4 & 20 FOR ANCHOR REQUIREMENTS
 - SEE SHTS. 4 & 20 FOR WALL CONSTRUCTION AND ANCHORING SYSTEM
 - SEE SHT. 9 FOR AVAILABLE OPENING SIZES, JAMB DEPTHS AND SPECIFICATIONS
 - APPROVED HARDWARE TO BE INSTALLED PER MANUFACTURER'S INSTALLATION INSTRUCTIONS.



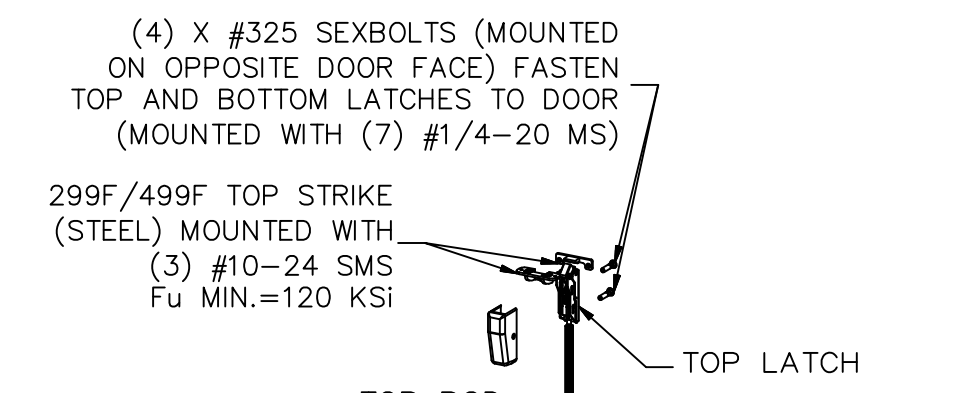
BEND RADIUS		SCHLAGE LOCK COMPANY, LLC 11819 N. PENNSYLVANIA STREET CARMEL, IN 46032	
THIRD ANGLE PROJECTION		TITLE: STEELCRAFT H SERIES DOUBLE OUTSWING GLAZED COMMERCIAL STEEL DOOR WITH AND WITHOUT PANIC EXIT DEVICES GLASS TRIM OPTIONS.	
DRAWN YMF	DATE 05/20/07	SIZE FLAT	DWG NO. IRGD07
CHECKED		SCALE: NTS	AUTOCAD
APPROVED			REV M
ENG. APPVL JPD	11/15/07		SHEET 11 of 20



VON DUPRIN 88-F RIM DEVICE, USED IN CONFIGURATIONS: 1 & 2



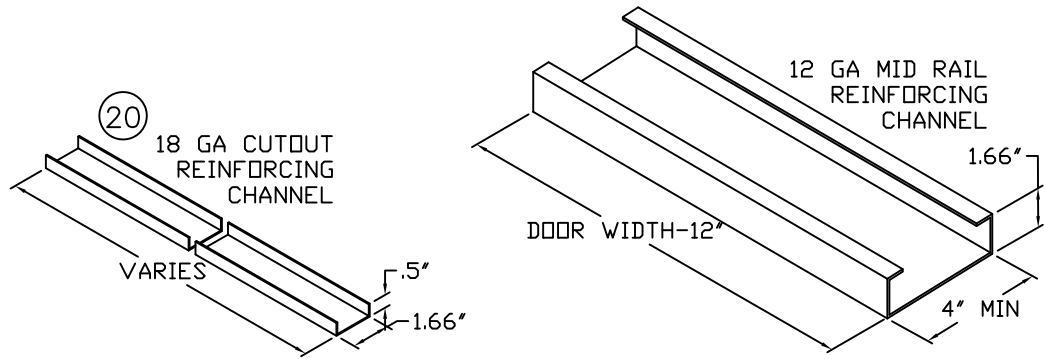
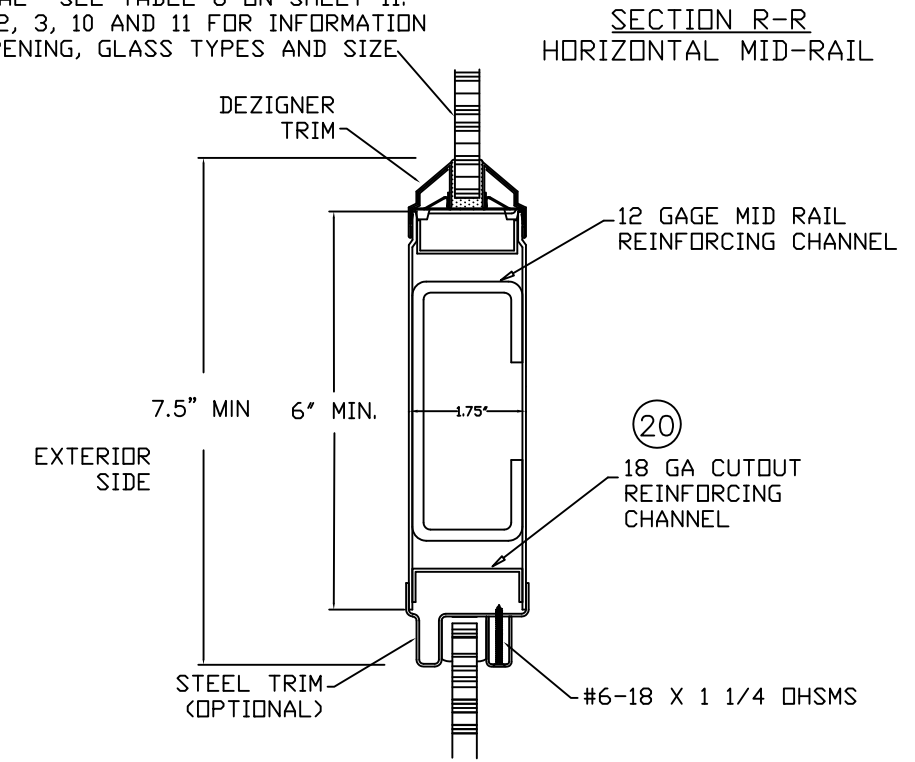
VON DUPRIN 98/99 & 98/99-F RIM EXIT DEVICE USED IN CONFIGURATIONS: 1 & 2



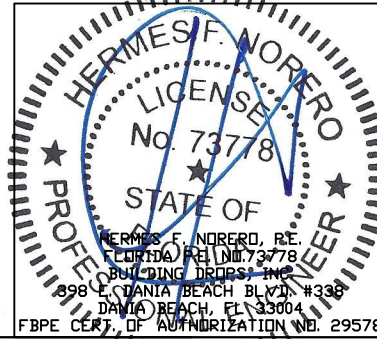
VON DUPRIN 98/9927 & 98/9927-F SURFACE VERTICAL ROD DEVICE USED IN CONFIGURATION: 4

REVISIONS				
LTR	DESCRIPTION	DATE	APPROVED	
A	APPROVAL DWG	YMF	05/20/07	
F	REVISED PER_MDBCCD	YMF	01/04/10	
G	REVISED PER_MDBCCD	YMF	04/08/10	
H	REVISED NAME	JPD	11/01/13	
J	REVISED DWG	JPD	02/01/15	
K	REVISED DWG	JPD	06/30/15	
L	CHANGE OF EDR	LMS	12/01/16	
M	REVISED DWG	JPD	07/18/18	

GLAZING MATERIAL SEE TABLE 8 ON SHEET 11. SEE SHEETS 1, 2, 3, 10 AND 11 FOR INFORMATION ON DAYLIGHT OPENING, GLASS TYPES AND SIZE LIMITATIONS



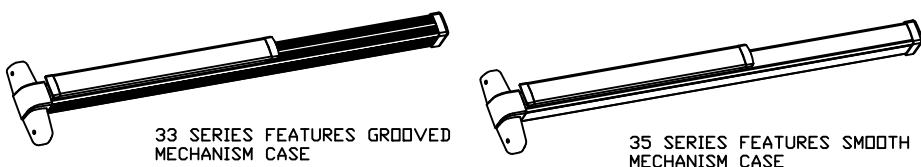
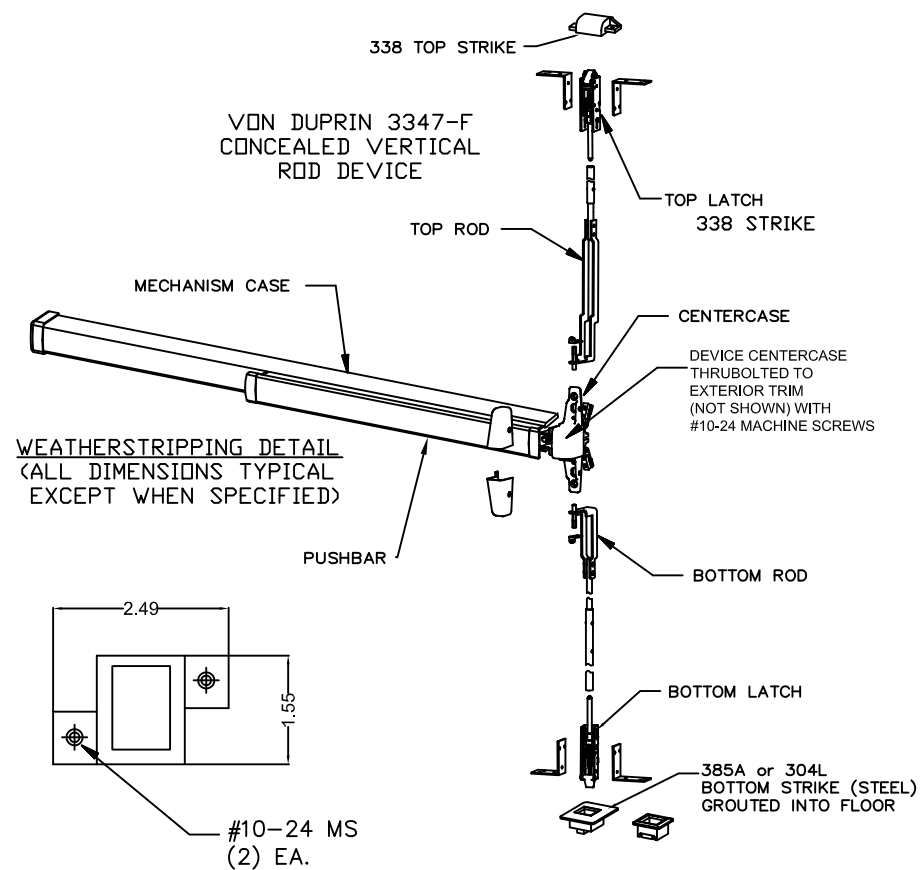
NOTES:
 1. ELECTRICAL FUNCTIONS/INSTALLATION AND FIRE RATINGS ARE NOT PART OF THIS APPROVAL AND TO BE REVIEWED AND APPROVED BY BUILDING OFFICIAL.
 2. EXIT HARDWARE OPTIONS:
 FOR 98/99 & XP98/99 SERIES - FUNCTIONS E, RX, LX, SS, EL, QEL, CX, F; TRIM: ALL APPLICABLE TRIMS AVAILABLE.
 FOR 88-F SERIES - FUNCTION E; TRIM: ALL APPLICABLE TRIMS AVAILABLE. PN MODEL OFFERED.
 TRIM: ALL APPLICABLE TRIMS AVAILABLE.



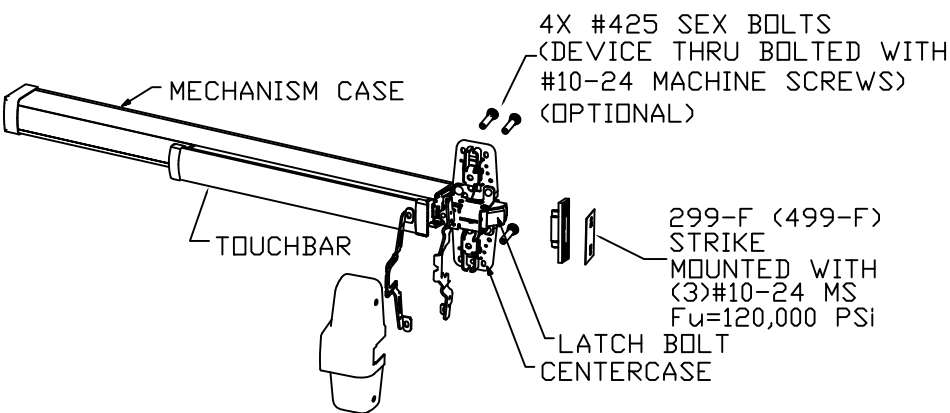
BEND RADIUS		SCHLAGE LOCK COMPANY, LLC 11819 N. PENNSYLVANIA STREET CARMEL, IN 46032			
THIRD ANGLE PROJECTION		TITLE: STEELCRAFT H SERIES DOUBLE OUTSWING GLAZED COMMERCIAL STEEL DOORS WITH AND WITHOUT PANIC EXIT DEVICES			
DRAWN YMF	DATE 05/20/07	EXIT HARDWARE FOR GLASS DOUBLE DOORS.			
CHECKED	CDATE	SIZE	FLAT	DWG NO.	REV
APPROVED	ADATE			IRGD07	M
ENG. APPVL JPD	EDATE 11/15/07	SCALE:	NTS	AUTOCAD	SHEET 12 OF 20

REVISIONS

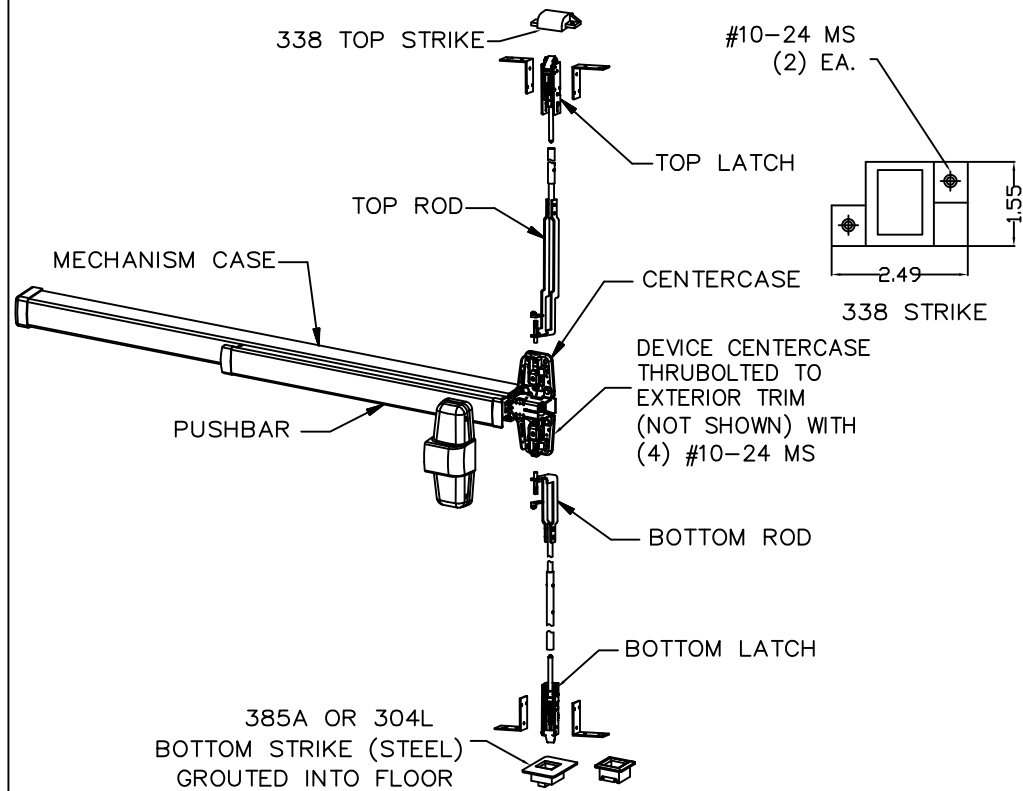
LTR	DESCRIPTION	DATE	APPROVED
A	APPROVAL DWG	YMF 05/20/07	
G	REVISED PER_MDBCCD	YMF 04/08/10	
H	REVISED NAME	JPD 11/01/13	
J	REVISED DWG	JPD 02/01/15	
K	REVISED DWG	JPD 06/30/15	
L	CHANGE OF EDR	LMS 12/01/16	
M	REVISED DWG	JPD 07/18/18	



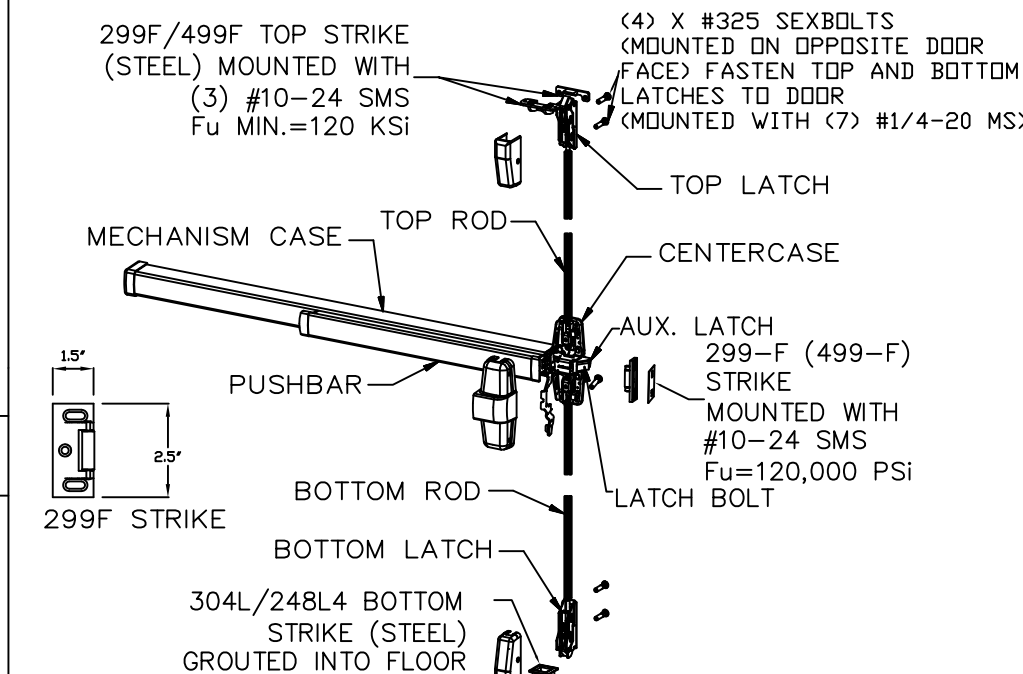
VON DUPRIN 33/3547A-F & HH33/3547A WITH 2-3/4" BACKSET CONCEALED VERTICAL ROD DEVICE USED IN CONFIGURATION: 5



VON DUPRIN XP98/99 & XP98/99-F RIM DEVICE USED IN CONFIGURATIONS: 3A & 3B



VON DUPRIN 98/9947-F & HH98/9947 WITH 2-3/4" BACKSET CONCEALED VERTICAL ROD DEVICE USED IN CONFIGURATION: 5

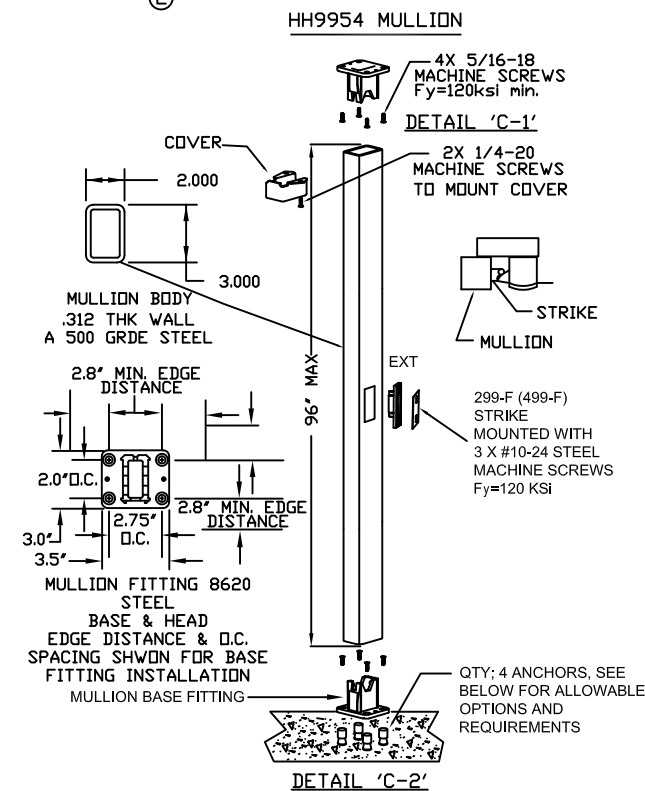


VON DUPRIN 98/9957 & 98/9957-F THREE POINT EXIT DEVICE USED IN CONFIGURATIONS: 6, 7, 8 & 9

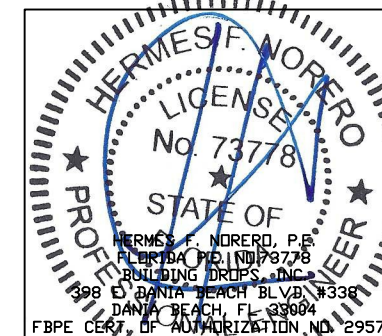
NOTE: ELECTRICAL FUNCTIONS/INSTALLATION AND FIRE RATINGS ARE NOT PART OF THIS APPROVAL AND TO BE REVIEWED AND APPROVED BY BUILDING OFFICIAL.

EXIT HARDWARE OPTIONS:
 FOR 98/99 & XP98/99 SERIES - FUNCTIONS E, RX, LX, SS, EL, QEL, CX, F (OPTIONS MAY VARY PER SERIES)
 TRIM: ALL APPLICABLE TRIMS AVAILABLE.
 FOR 33/35-F SERIES - FUNCTIONS RX, LX, EL, SS
 TRIM: ALL APPLICABLE TRIMS AVAILABLE.

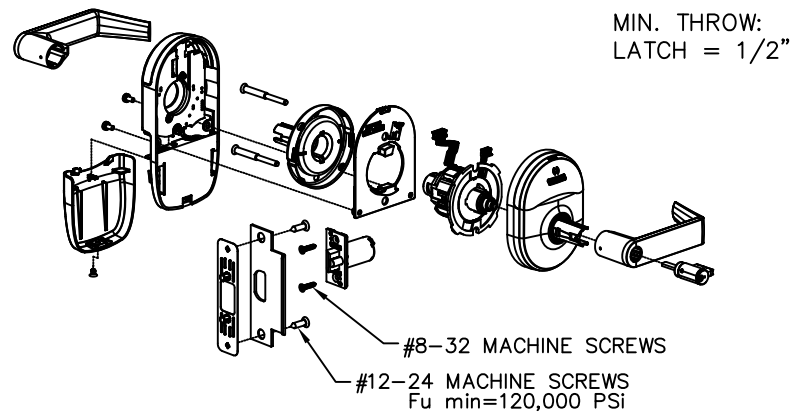
VON DUPRIN MULLION



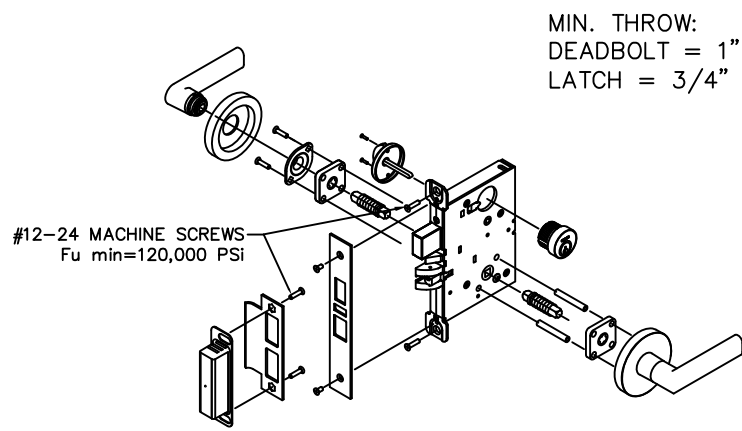
MULLION ANCHOR NOTES:
 ANCHORS SHALL BE INSTALLED IN 3000 PSI CONCRETE (SEE ABOVE FOR SPACING REQUIREMENTS), ALLOWABLE ANCHOR TYPES ARE
 1/4" POWERS SMART DI+ EXPANSION ANCHORS WITH MIN 1" EMBEDMENT
 OR
 1/4" HILTI KWIK BOLT 3 EXPANSION BOLTS WITH MIN 1-1/8" EMBEDMENT



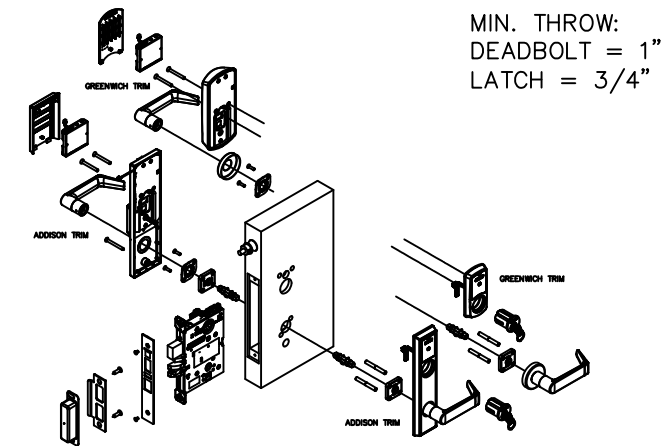
BEND RADIUS		SCHLAGE LOCK COMPANY, LLC 11819 N. PENNSYLVANIA STREET CARMEL, IN 46032	
THIRD ANGLE PROJECTION		TITLE: STEELCRAFT H SERIES DOUBLE OUTSWING GLAZED COMMERCIAL STEEL DOORS WITH AND WITHOUT PANIC EXIT DEVICES	
DRAWN YMF	DATE 05/20/07	EXIT HARDWARE FOR GLASS DOUBLE DOORS.	
CHECKED		SIZE FLAT	DWG NO. IRGD07
APPROVED		SCALE: NTS	AUTOCAD
ENG. APPVL JPD	11/15/07	SHEET 13 OF 20	REV M



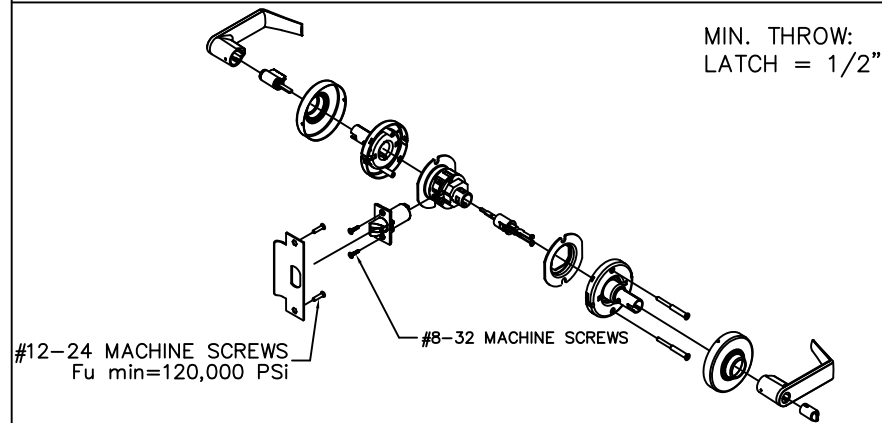
SCHLAGE NDE SERIES CYLINDRICAL LOCKSET
USED IN CONFIGURATIONS: 11



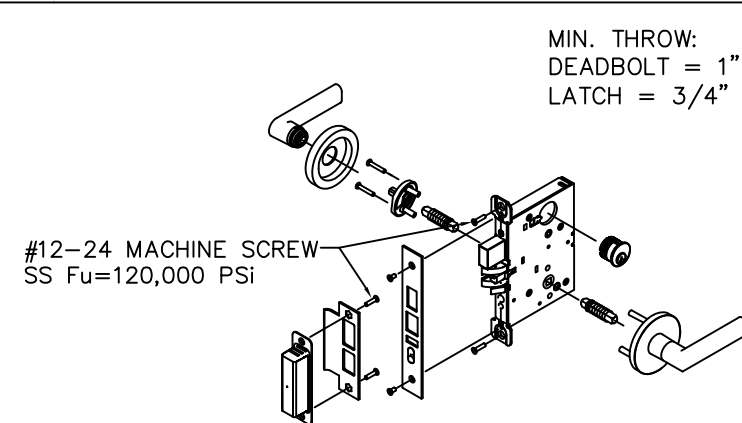
SCHLAGE L/LV 9400 SERIES MORTISE LOCKSET
W/ DEADBOLT. USED IN CONFIGURATION: 10



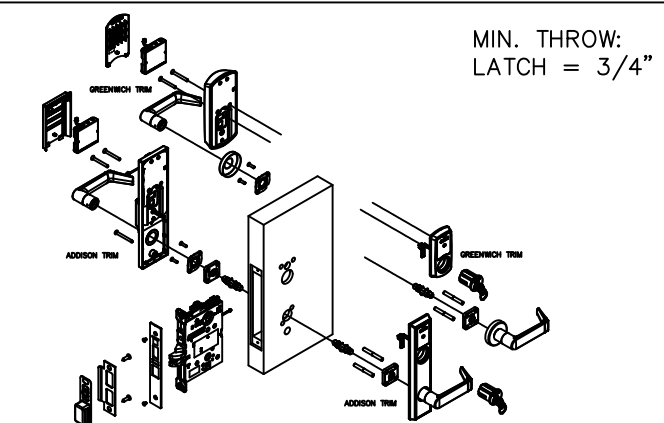
SCHLAGE LE-MD SERIES MORTISE LOCKSET
W/ DEADBOLT. USED IN CONFIGURATION: 10



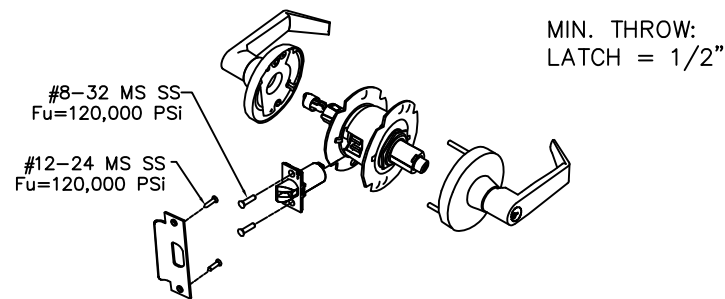
SCHLAGE D/ND-SERIES CYLINDRICAL LOCKSET.
USED IN CONFIGURATION: 11



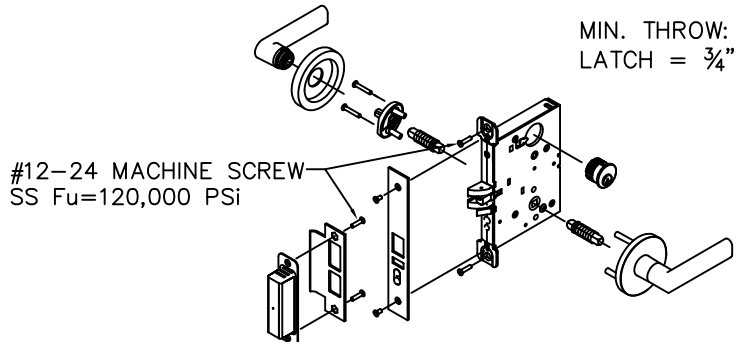
FALCON MA-SERIES MORTISE LOCKSET W/ DEADBOLT
USED IN CONFIGURATION: 10



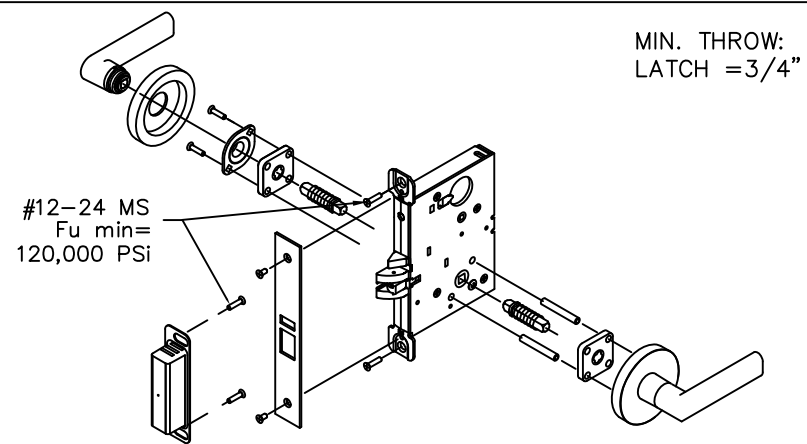
SCHLAGE LE-MS SERIES MORTISE LOCKSET
W/O DEADBOLT. USED IN CONFIGURATION: 10



FALCON, T-SERIES CYLINDRICAL LEVER LOCKSET
USED IN CONFIGURATION: 11



FALCON MA-SERIES MORTISE LOCKSET W/O DEADBOLT
USED IN CONFIGURATION: 10

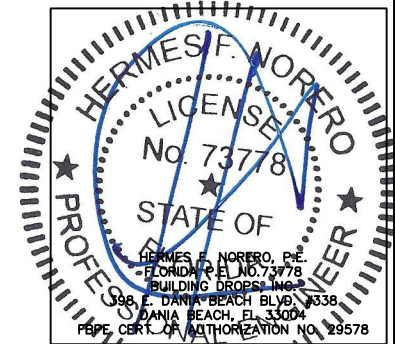


SCHLAGE L/LV 9000 SERIES MORTISE LOCK WITHOUT DEADBOLT
USED IN CONFIGURATION: 10

NOTES:
1. INSTALLATION AND FIRE RATINGS ARE NOT PART OF THIS APPROVAL
AND TO BE REVIEWED AND APPROVED BY BUILDING OFFICIAL.
2. ELECTRIFIED FUNCTIONS APPROVED , BUT NOT SHOWN ABOVE.

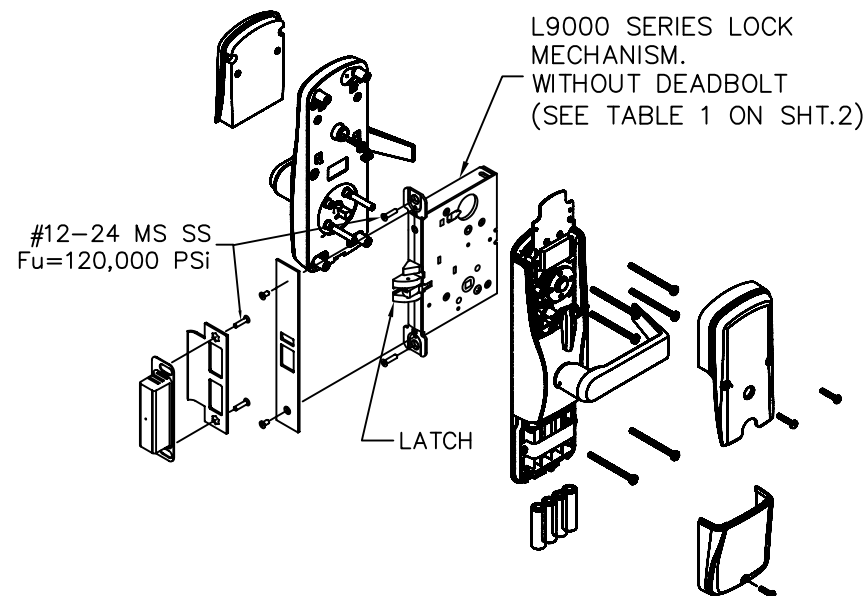
REVISIONS

LTR	DESCRIPTION	DATE	APPROVED
A	APPROVAL DWG	YMF 05/20/07	
C	REVISED DWG	RAP 12/14/07	
D	REVISED DWG	YMF 12/14/08	
E	REVISED PER_MDBCCO	YMF 02/05/09	
F	REVISED DWG	YMF 12/18/09	
G	REVISED PER_MDBCCO	YMF 04/08/10	
H	REVISED NAME	JPD 11/01/03	
J	REVISED DWG	JPD 2/01/15	
K	REVISED DWG	JPD 06/30/15	
L	ENGINEER CHANGE	LMS 12/01/16	
M	REVISED DWG	JPD 07/18/18	



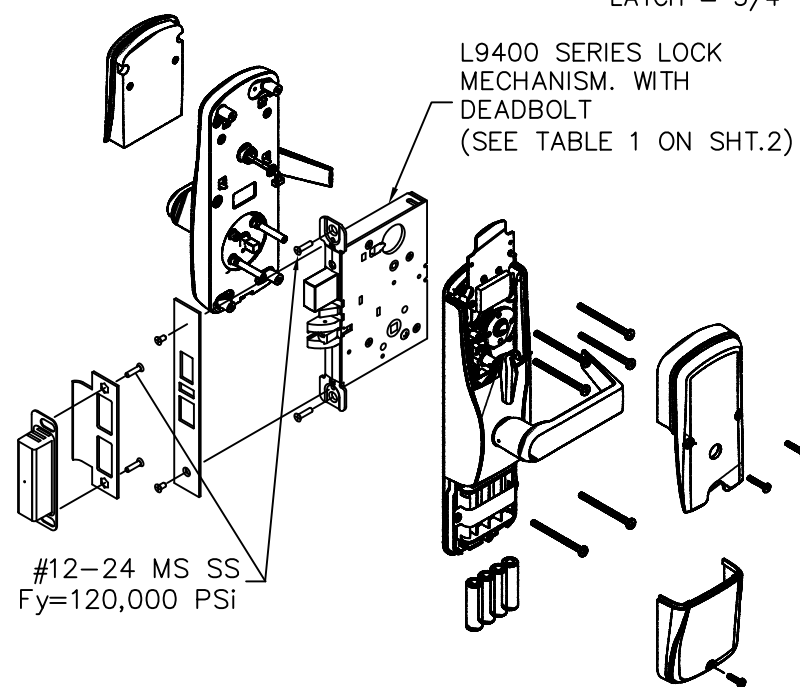
BEND RADIUS		SCHLAGE LOCK COMPANY, LLC 11819 N. PENNSYLVANIA STREET CARMEL, IN 46032	
THIRD ANGLE PROJECTION		TITLE: STEELCRAFT H SERIES DOUBLE OUTSWING GLAZED COMMERCIAL STEEL DOORS WITH AND WITHOUT PANIC EXIT DEVICES	
DRAWN YMF	DATE 05/20/07	HARDWARE FOR GLASS DOUBLE DOORS.	
CHECKED		SIZE	FLAT
APPROVED		DWG NO.	IRGD07
ENG. APPVL JPD	10/12/07	SCALE:	NTS
		AUTOCAD	
		SHEET	14 OF 20

MIN. THROW:
LATCH = 3/4"



SCHLAGE AD-MS & CO-MS SERIES MORTISE LOCKSET
USED IN CONFIGURATIONS: 10 (SEE SHT. 1)

MIN. THROW:
DEADBOLT = 1"
LATCH = 3/4"

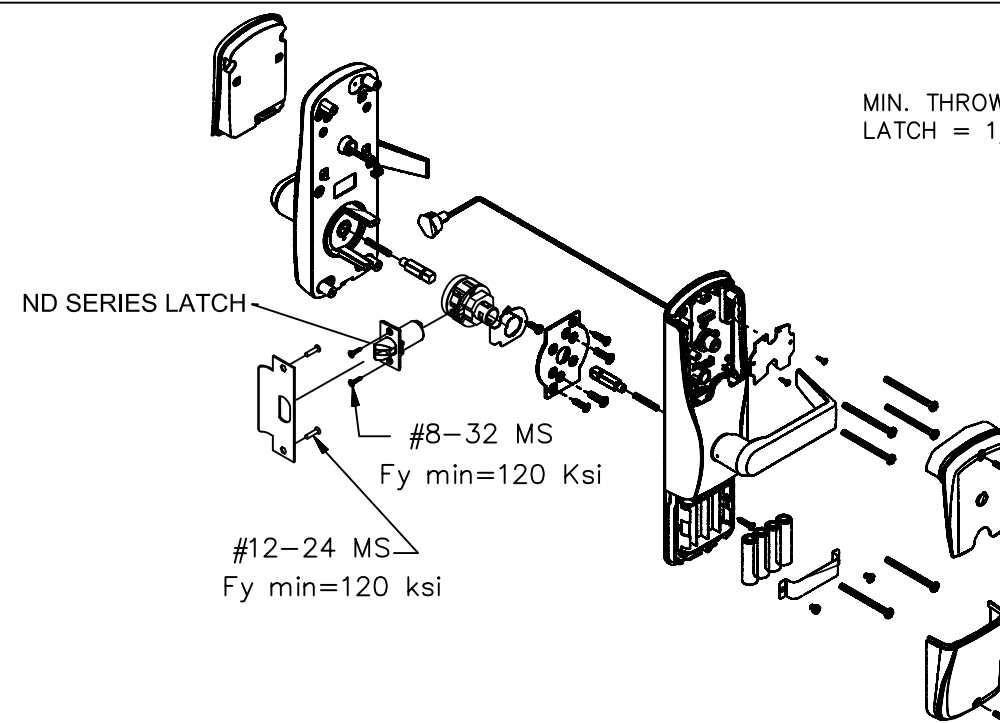


SCHLAGE AD-MD & CO-MD SERIES MORTISE LOCKSET
USED IN CONFIGURATIONS: 10 (SEE SHT.1)

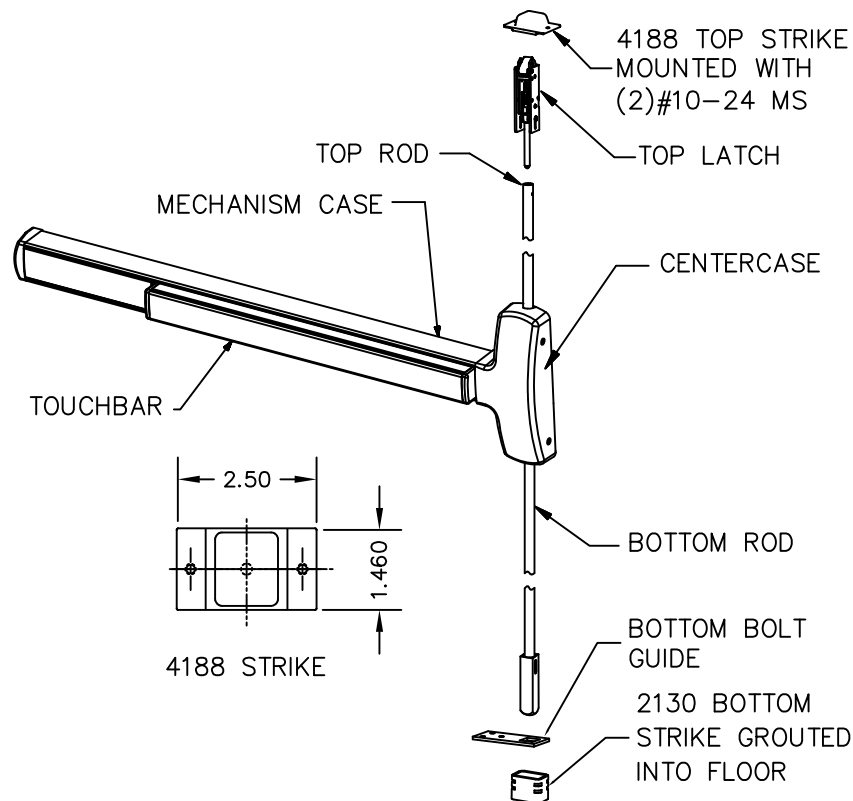
REVISIONS

LTR	DESCRIPTION	DATE	APPROVED
F	ADDED	12/18/09	
G	REVISED_PER_MDBCCO	04/08/10	
H	REVISED_NAME	11/01/13	
J	REVISED	06/30/15	
K	CHANGE OF EOR	12/01/16	
M	REVISED	07/18/18	

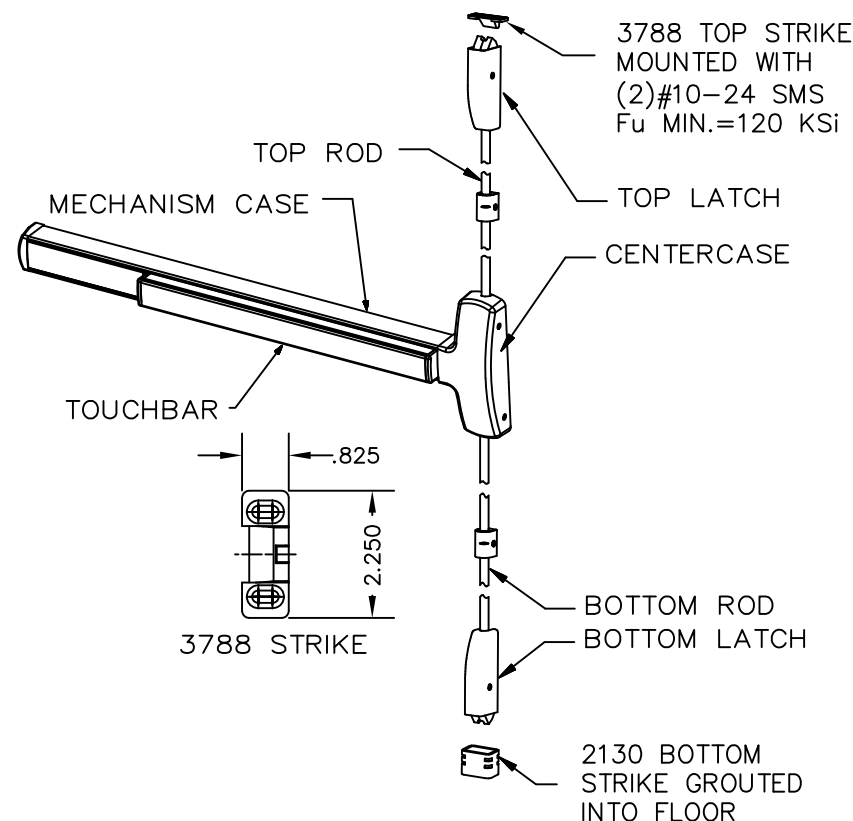
MIN. THROW:
LATCH = 1/2"



SCHLAGE AD-CY & CO-CY SERIES CYLINDRICAL LOCKSET
USED IN CONFIGURATIONS: 11 (SEE SHT.1)



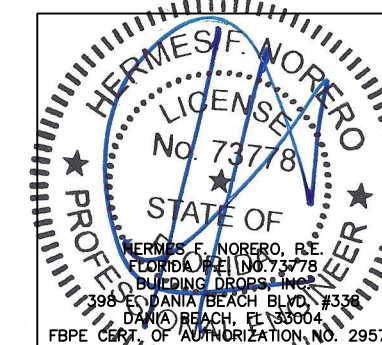
FALCON F-25-C CONCEALED VERTICAL ROD EXIT DEVICE
USED IN DOOR CONFIGURATION 5 (SEE SHT.1)



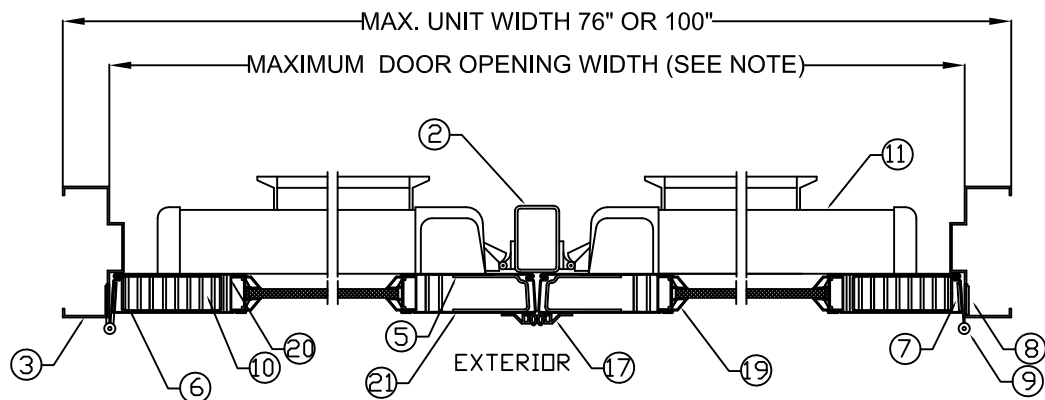
FALCON (F)25-V SURFACE VERTICAL ROD EXIT DEVICE
USED IN DOOR CONFIGURATION 4 (SEE SHT.1)

EXIT HARDWARE OPTIONS:
F-25-C & (F)25-V SERIES - FUNCTIONS AE,
DM, LM, LK, KOR, ED, EL, EA, FSA, FSE, HWEA
TRIMS: ALL APPLICABLE TRIMS AVAILABLE.

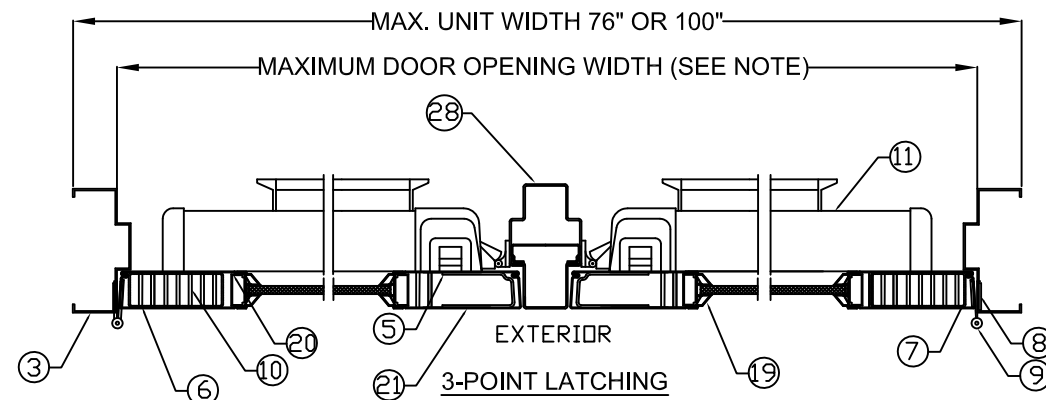
NOTE: INSTALLATION AND FIRE RATINGS ARE NOT PART
OF THIS APPROVAL AND TO BE REVIEWED AND
APPROVED BY BUILDING OFFICIAL.



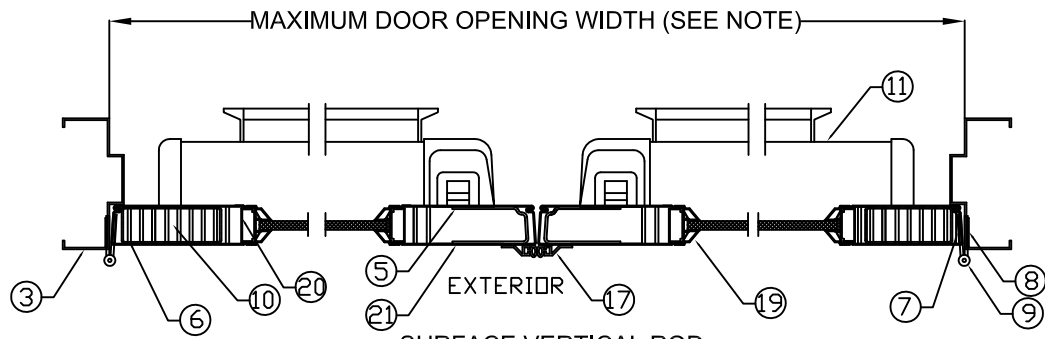
BEND RADIUS		SCHLAGE LOCK COMPANY, LLC 11819 N. PENNSYLVANIA STREET CARMEL, IN 46032	
THIRD ANGLE PROJECTION		TITLE: STEELCRAFT H SERIES DOUBLE OUTSWING GLAZED COMMERCIAL STEEL DOORS WITH AND WITHOUT PANIC EXIT DEVICES	
DRAWN YMF	DATE 05/20/07	HARDWARE FOR GLASS DOUBLE DOORS.	
CHECKED		SIZE FLAT	DWG NO. IRGD07
APPROVED		SCALE: NTS	AUTOCAD
ENG. APPVL JPD	11/15/07		SHEET 15 of 20



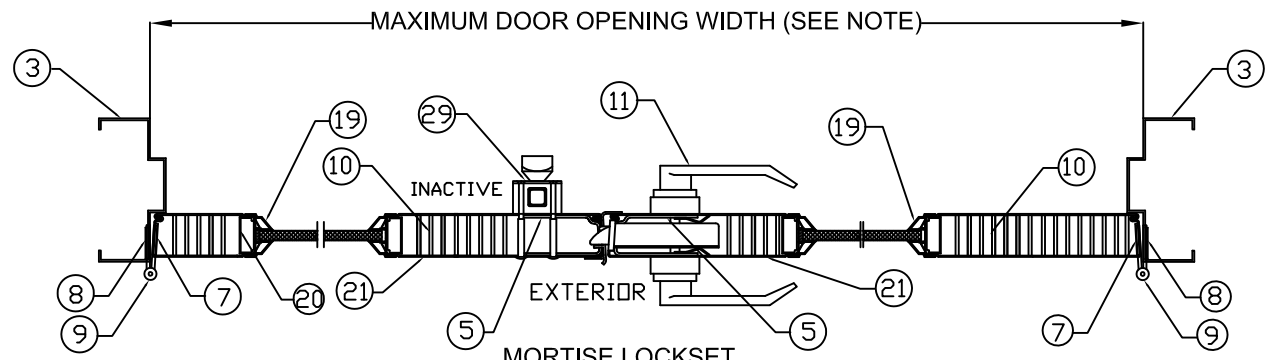
RIM EXIT DEVICE WITH VON DUPRIN MULLION
SEE MULLION DETAIL C-2 SHEET 10
SECTION A-A
CONFIGURATIONS 1, 2, 3A, 3B
(SEE SHT.1)



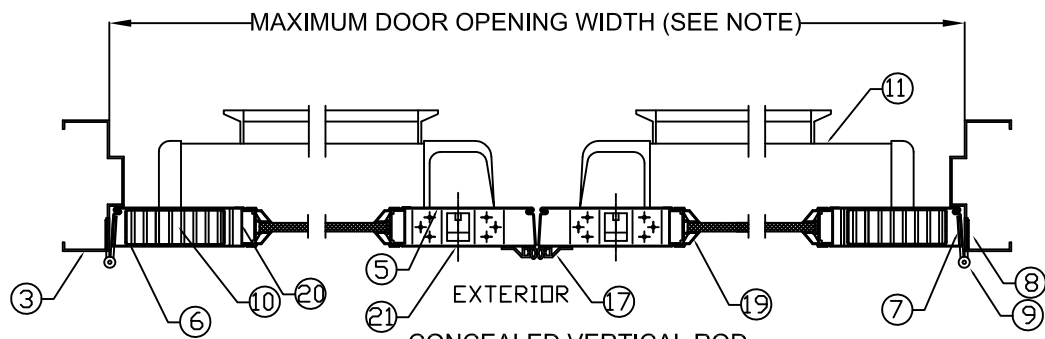
FIXED HOLLOW METAL MULLION-SEE MULLION DETAIL SHEET 6
SECTION A-A
CONFIGURATIONS 7 & 9
(SEE SHT.1)



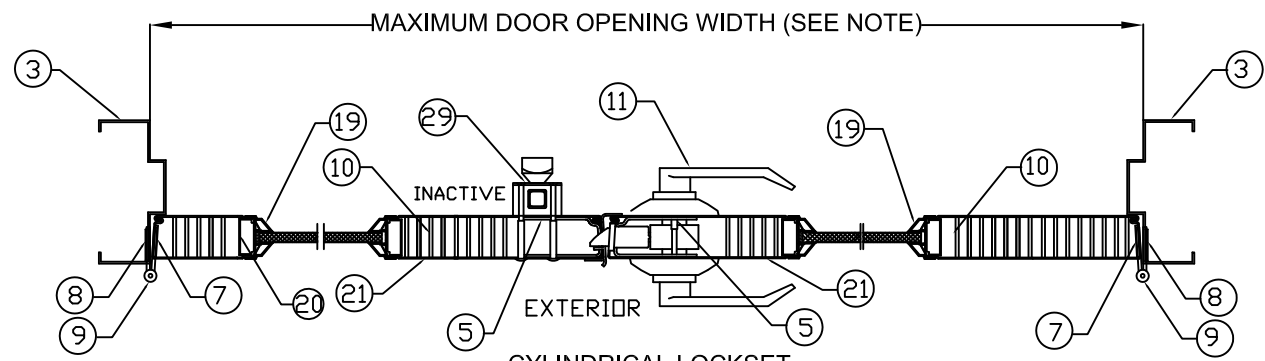
SURFACE VERTICAL ROD EXIT DEVICE.
SECTION A-A
CONFIGURATION 4
(SEE SHT.1)



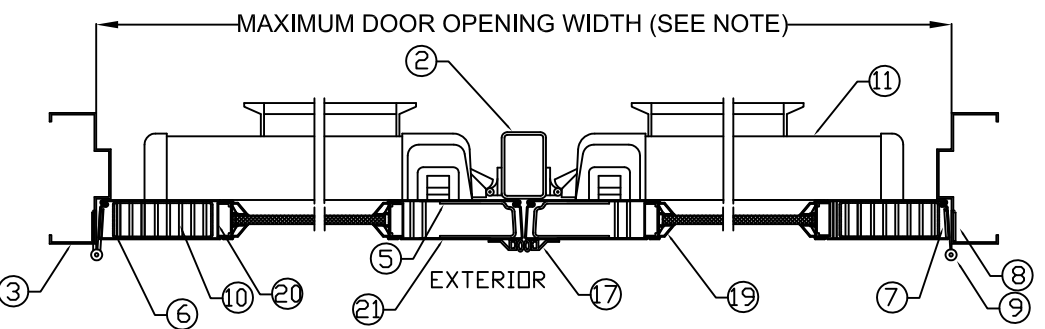
MORTISE LOCKSET.
SECTION A-A
CONFIGURATION 10
(SEE SHT.1)



CONCEALED VERTICAL ROD EXIT DEVICE.
SECTION A-A
CONFIGURATION 5
(SEE SHT.1)



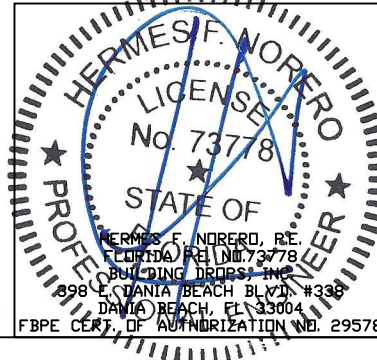
CYLINDRICAL LOCKSET.
SECTION A-A
CONFIGURATION 11
(SEE SHT.1)



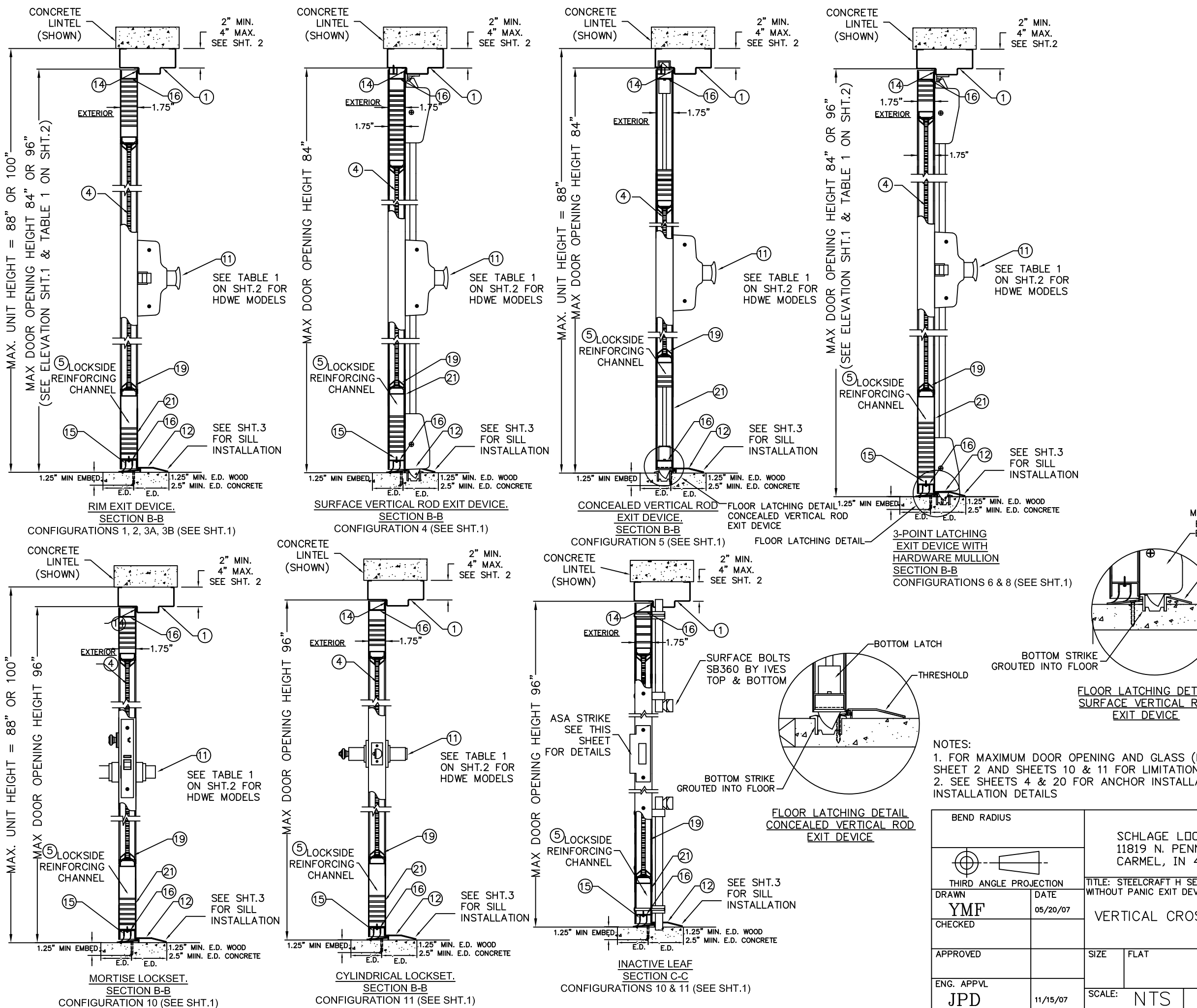
3-POINT LATCHING EXIT DEVICE WITH VON DUPRIN MULLION
SECTION A-A
CONFIGURATIONS 6 & 8
(SEE SHT.1)

NOTES:
1. FOR MAXIMUM DOOR OPENING AND GLASS (DLO) SIZE, SEE TABLE 1 ON SHEET 2 AND SHEET 10 FOR LIMITATIONS.
2. GLAZING DETAIL K SHOWN, SEE TABLE 8 ON SHEET 11 FOR ADDITIONAL OPTIONS AND SHEET 10 FOR LIMITATIONS
3. SEE SHEETS 4 & 20 FOR ANCHOR INSTALLATION AND SILL INSTALLATION DETAILS, AND SHEETS 9 & 13 FOR MULLION ANCHOR INSTALLATION.

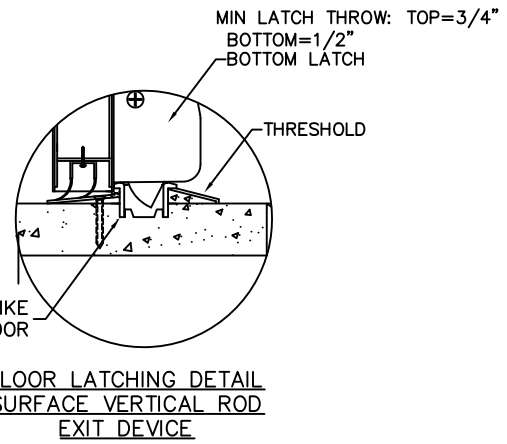
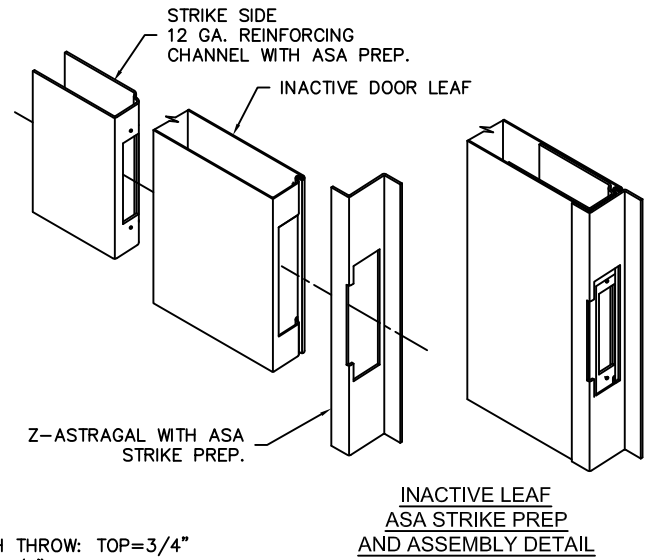
REVISIONS				
LTR	DESCRIPTION	DATE	APPROVED	
A	APPROVAL DWG	YMF	05/20/07	
C	REVISED DWG	RAP	12/14/07	
D	REVISED DWG	YMF	12/14/08	
E	REVISED PER_MDBCCO	YMF	02/05/09	
F	REVISED NEW_NUMBER	YMF	01/04/10	
G	REVISED PER_MDBCCO	YMF	04/08/10	
H	REVISED NAME	JPD	11/01/13	
J	REVISED DWG	JPD	02/01/15	
K	REVISED DWG	JPD	06/30/15	
L	CHANGE OF EDR	LMS	12/01/16	
M	REVISED DWG	JPD	07/18/18	



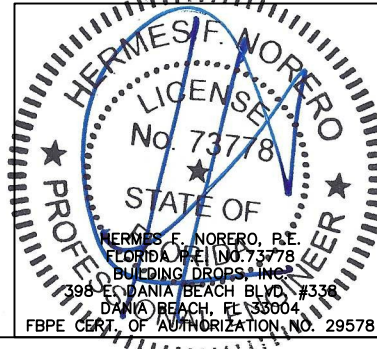
BEND RADIUS		SCHLAGE LOCK COMPANY, LLC 11819 N. PENNSYLVANIA STREET CARMEL, IN 46032		
THIRD ANGLE PROJECTION		TITLE: STEELCRAFT H SERIES DOUBLE OUTSWING GLAZED COMMERCIAL STEEL DOORS WITH AND WITHOUT PANIC EXIT DEVICES.		
DRAWN YMF	DATE 05/20/07	HORIZONTAL CROSS SECTIONS FOR GLASS DOUBLE DOORS.		
CHECKED		SIZE	FLAT	DWG NO. IRGD07
APPROVED		SCALE	NTS	AUTOCAD
ENG. APPVL JPD	11/15/07			SHEET 16 OF 20
				REV M



REVISIONS				
LTR	DESCRIPTION	DATE	APPROVED	
A	APPROVAL DWG	YMF	05/20/07	
D	REVISED DWG	YMF	12/14/08	
E	REVISED PER_MDBCCO	YMF	02/05/09	
F	REVISED NEW_NUMBER	YMF	01/04/10	
G	REVISED NEW_NUMBER	YMF	04/08/10	
H	REVISED NAME	JPD	11/01/13	
J	REVISED DWG	JPD	02/01/15	
K	REVISED DWG	JPD	06/30/15	
L	CHANGE OF EOR	LMS	12/01/16	
M	REVISED DWG	JPD	07/18/18	



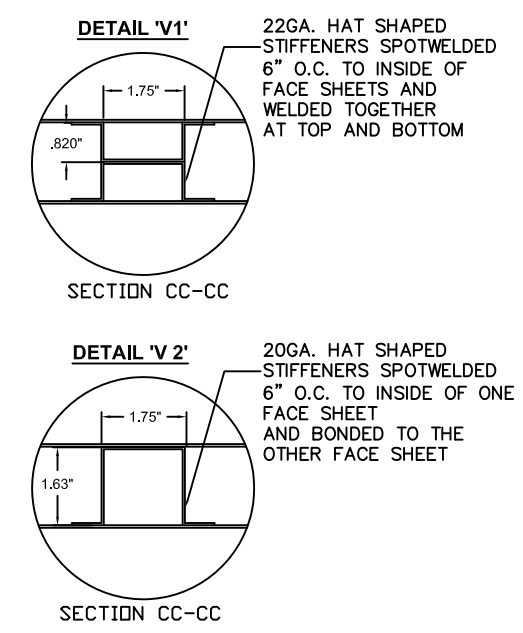
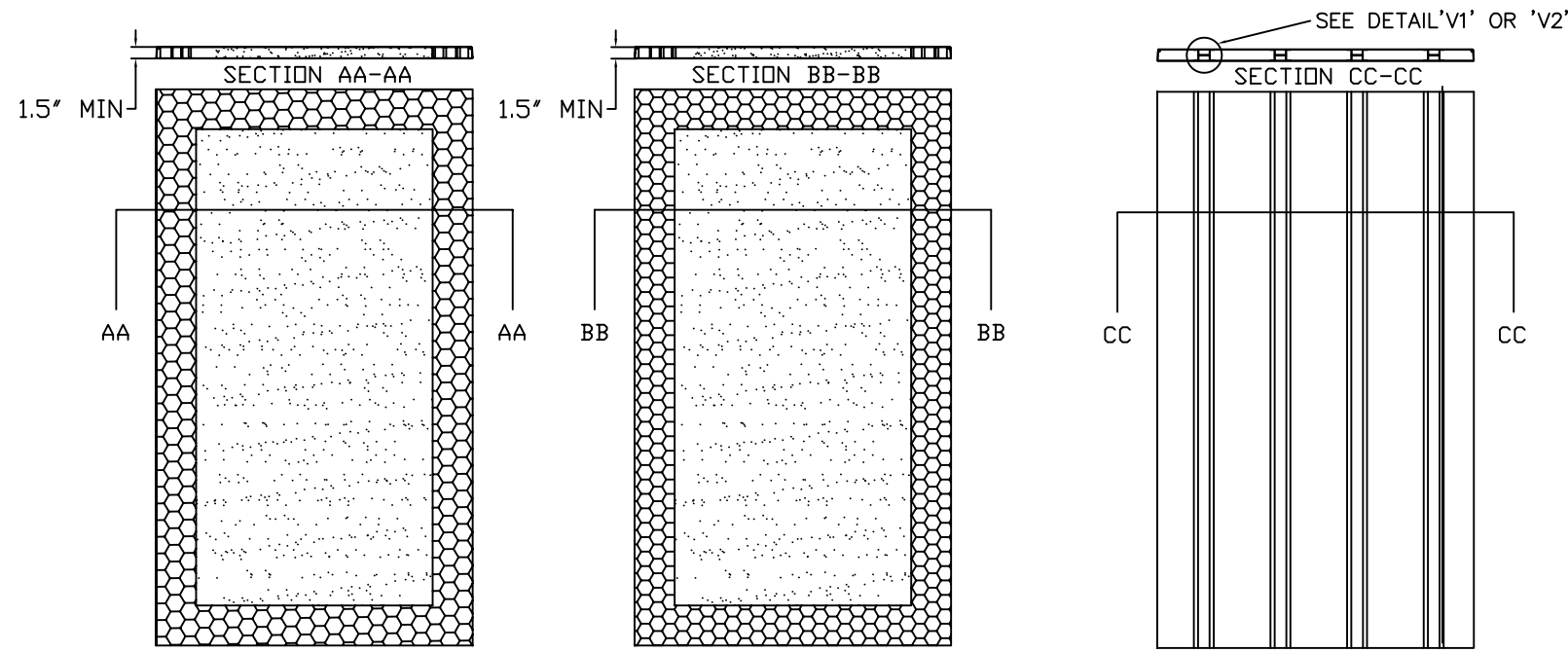
NOTES:
 1. FOR MAXIMUM DOOR OPENING AND GLASS (DLO) SIZE, SEE TABLE 1 ON SHEET 2 AND SHEETS 10 & 11 FOR LIMITATIONS.
 2. SEE SHEETS 4 & 20 FOR ANCHOR INSTALLATION AND SILL INSTALLATION DETAILS



BEND RADIUS		SCHLAGE LOCK COMPANY, LLC 11819 N. PENNSYLVANIA STREET CARMEL, IN 46032		
THIRD ANGLE PROJECTION		TITLE: STEELCRAFT H SERIES DOUBLE-OUTSWING GLAZED COMMERCIAL STEEL DOORS WITH AND WITHOUT PANIC EXIT DEVICES		
DRAWN YMF	DATE 05/20/07	VERTICAL CROSS SECTIONS FOR GLASS DOUBLE DOORS.		
CHECKED		SIZE	FLAT	DWG NO.
APPROVED				IRGD07
ENG. APPVL JPD	11/15/07	SCALE:	NTS	AUTOCAD
				SHEET 17 OF 20
				REV M

REVISIONS

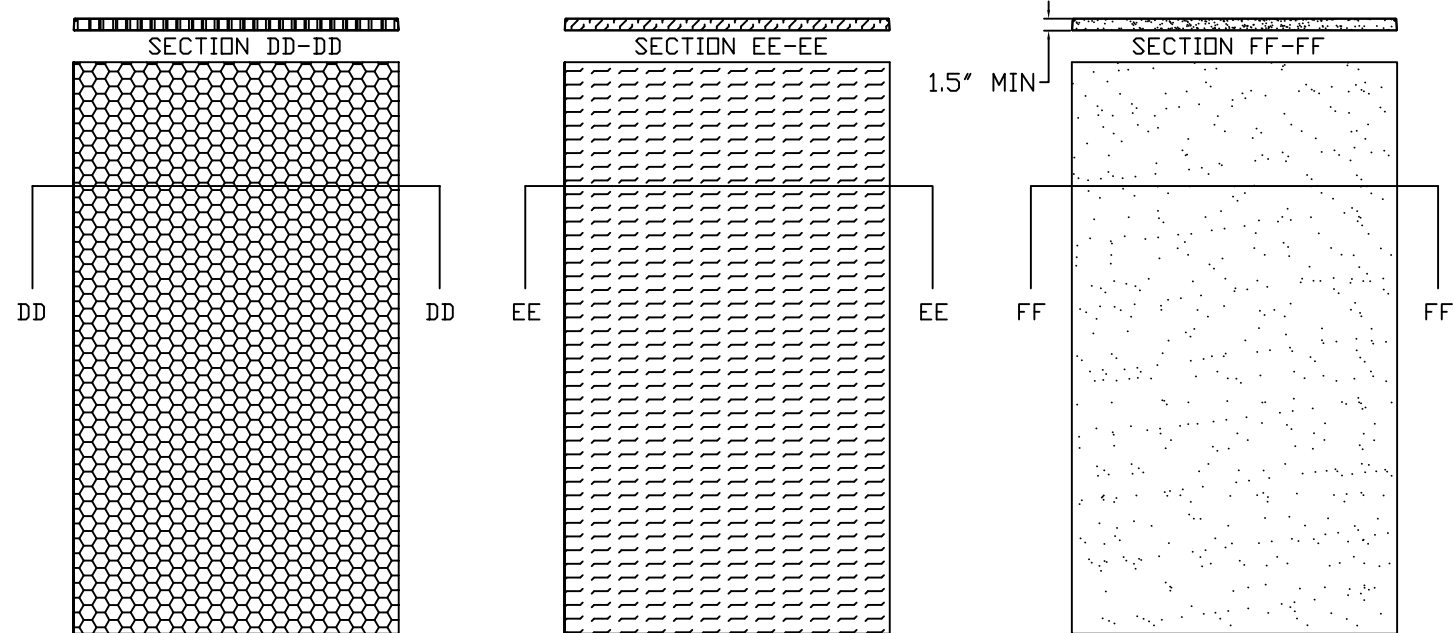
LTR	DESCRIPTION	DATE	APPROVED
A	APPROVAL DWG	JPD 02/03/14	
B	REVISED DWG	JPD 02/01/15	
C	REVISED DWG	JPD 06/30/15	
D	CHANGE OF EDR	LMS 12/01/16	
M	REVISED DWG	JPD 07/18/18	



(A) EXPANDED POLYSTYRENE FOAM BY ATLAS EPS DENSITY: 1.0 LBS/FT³

(B) POLYISOCYANURATE (POLYURETHANE) BY ELLIOT CO. OF INDIANAPOLIS, IN DENSITY: 2 LBS/FT³

(C) STEEL STIFFENED HAT SHAPED SECTIONS



(D) HONEYCOMB KRAFT PAPER.

(E) TEMPERATURE RISE CORE MINERAL FIBER BOARD DENSITY: 17±1.5 LBS/FT³ PYROPHOBIC PSL P25C-60 CORE OR MARSHFIELD DOOR SYSTEMS CALCIUM SILICATE MINERAL CORE

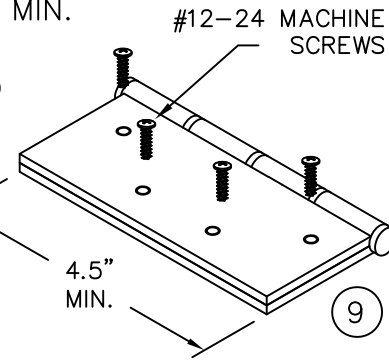
(F) EXPANDED POLYSTYRENE FOAM BY ATLAS EPS DENSITY: 1.0 LB/FT³ OR POLYISOCYANURATE (POLYURETHANE) BY ELLIOT CO. OF INDIANAPOLIS, IN DENSITY: 2 LBS/FT³

NOTES:
1. CORE MATERIAL SHOWN WITHOUT CUTOUTS FOR REINFORCEMENTS

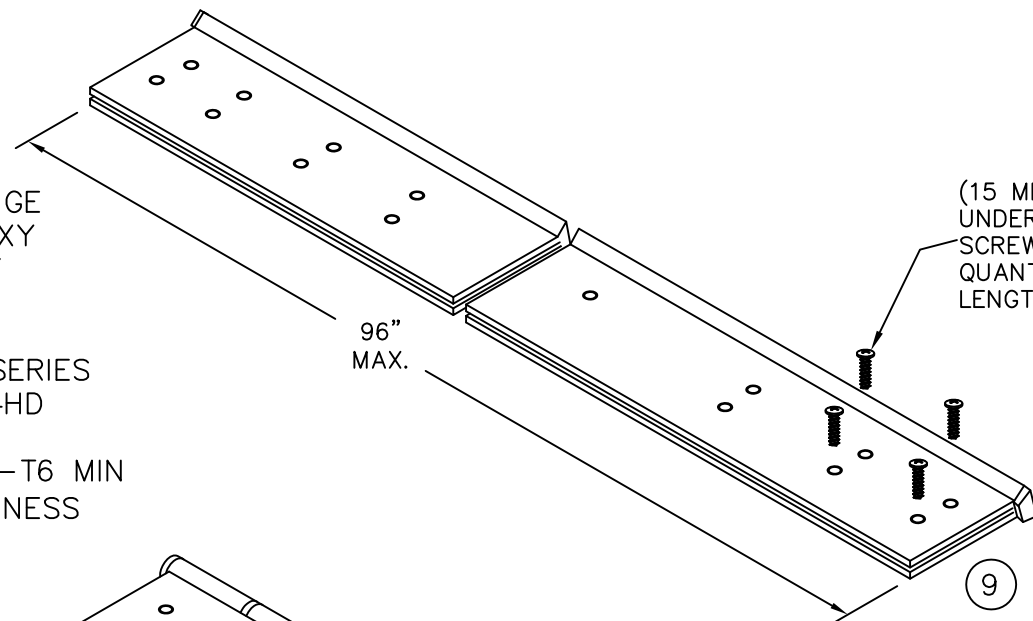


BEND RADIUS		SCHLAGE LOCK COMPANY, LLC 11819 N. PENNSYLVANIA STREET CARMEL, IN 46032			
THIRD ANGLE PROJECTION		TITLE: STEELCRAFT H SERIES DOUBLE OUTSWING GLAZED COMMERCIAL STEEL DOORS WITH AND WITHOUT PANIC EXIT DEVICES			
DRAWN JPD	DATE 02/03/14	DOOR CORE OPTIONS		SIZE	REV M
CHECKED		FLAT	DWG NO. IRGD07		
APPROVED		SCALE: NTS	AUTOCAD		SHEET 18 of 20
ENG. APPVL					

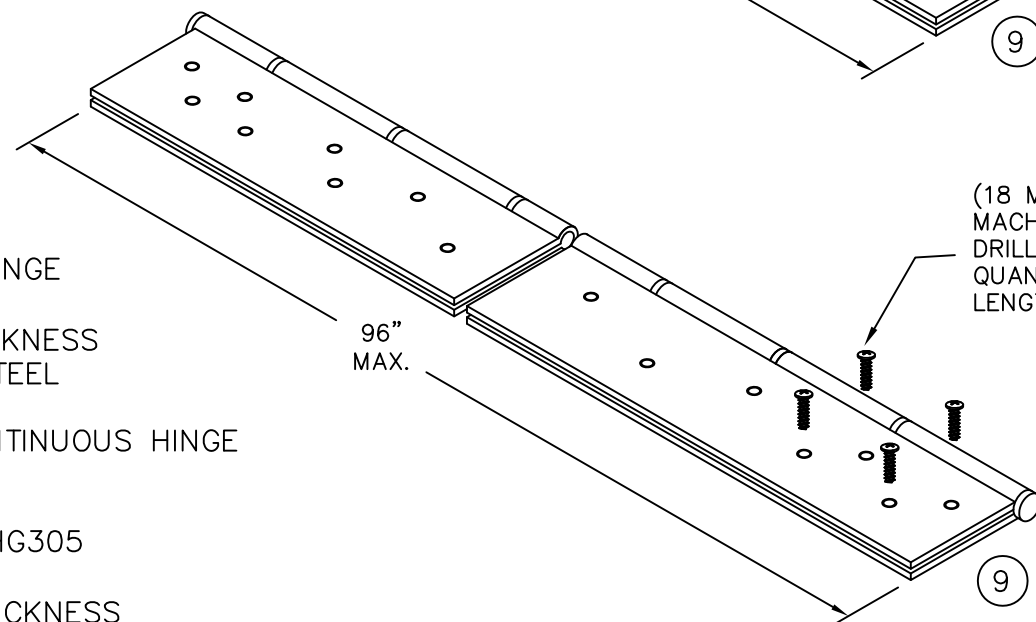
BUTT HINGE
 4.5" X 4.5" STD. WT. MIN.
 IVES 5BB1/3CB1
 STANLEY FBB179/1900
 HAGER BB1279
 .134" MIN. THICKNESS
 Fy MIN. = 36ksi



CONTINUOUS HINGE
 IVES 112HD, 112XY
 224HD & 224XY
 STANLEY 661HD
 SELECT SL11HD
 PEMKO FM_HD SERIES
 HAGER 780-224HD
 ABH A240HD
 ALUMINUM 6036-T6 MIN
 .110" MIN. THICKNESS



STEEL CONTINUOUS HINGE
 IVES 600
 .075 (14GA) MIN. THCKNESS
 1012 COLD ROLLED STEEL
 Fy MIN. 45ksi
 STAINLESS STEEL CONTINUOUS HINGE
 IVES 700, 700CS
 HAGER 790-900
 MARKAR FM-300 & HG305
 ABH A500
 .075" (14GA) MIN. THICKNESS
 304 STAINLESS STEEL
 Fy MIN. 31ksi

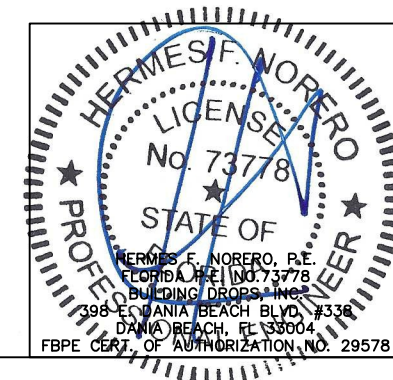


CONTINUOUS HINGE NOTES:

1. QUANTITY OF SCREWS VARIES PER HINGE LENGTH, MANUFACTURER AND MODEL NUMBER
2. SCREW SPACING VARIES PER HINGE LENGTH, MANUFACTURER AND MODEL NUMBER
3. INSTALL HINGES PER THE MANUFACTURERS INSTALLATION INSTRUCTIONS

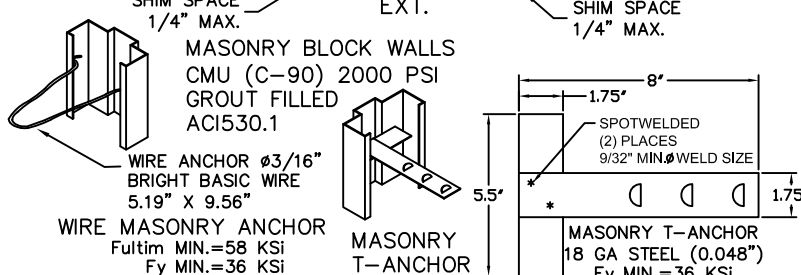
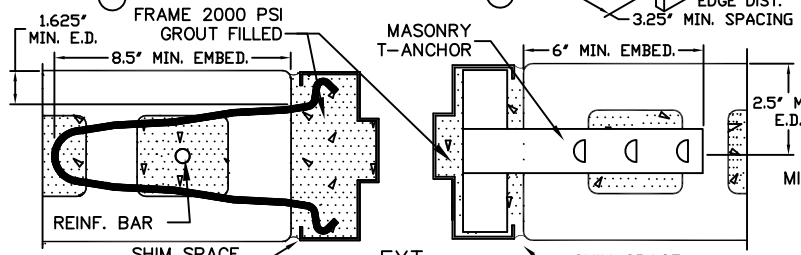
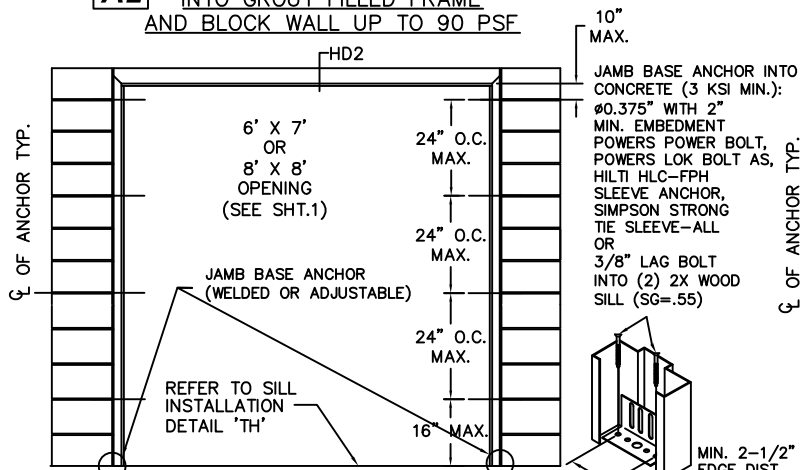
REVISIONS

LTR	DESCRIPTION	DATE	APPROVED
A	APPROVAL DWGS.	11/01/13	
B	REVISED DWG.	02/01/15	
C	REVISED DWG.	06/30/15	
D	CHANGE OF EOR	12/01/16	
M	REVISED DWG.	07/18/18	

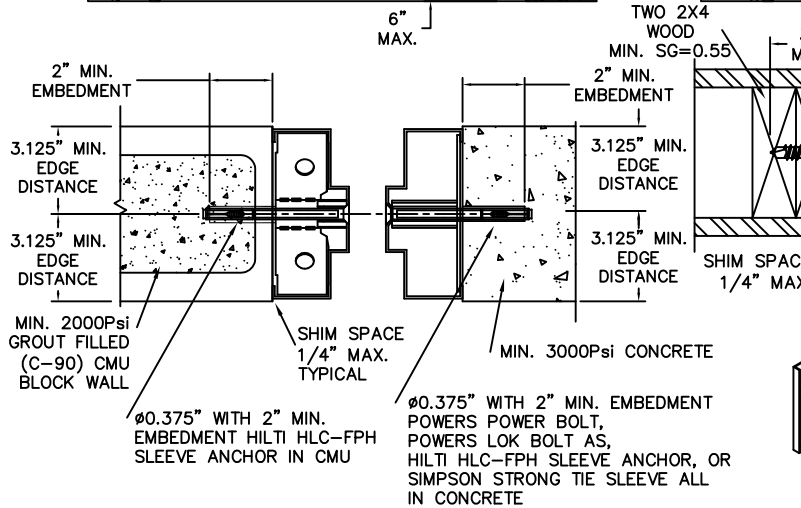
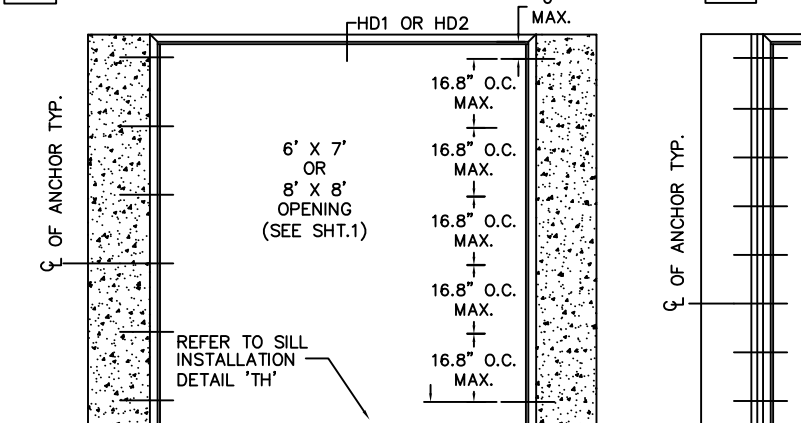


BEND RADIUS		SCHLAGE LOCK COMPANY, LLC 11819 N. PENNSYLVANIA STREET CARMEL, IN 46032			
THIRD ANGLE PROJECTION		TITLE: STEELCRAFT H SERIES DOUBLE OUTSWING GLAZED COMMERCIAL STEEL DOORS WITH AND WITHOUT PANIC EXIT DEVICES			
DRAWN JPD	DATE 02/03/14	HINGE OPTIONS			
CHECKED		SIZE	FLAT	DWG NO. IRGD07	REV M
APPROVED		SCALE: NTS		AUTOCAD	SHT 19 OF 20
ENG. APPVL					

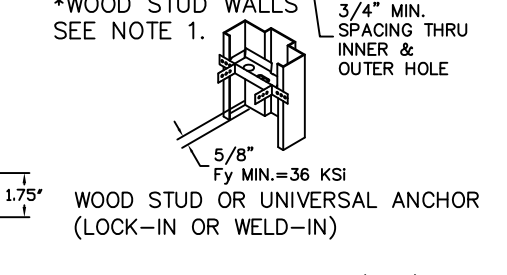
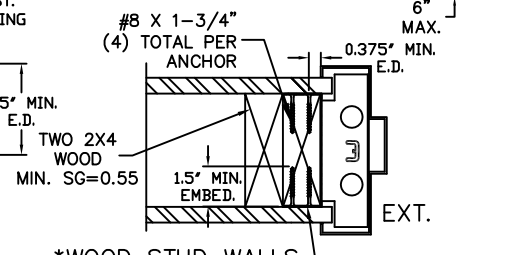
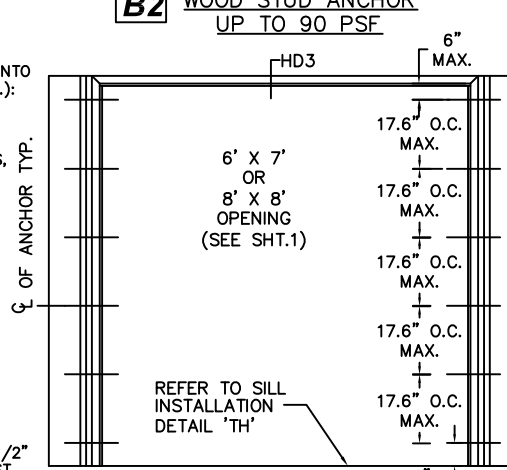
A2 WIRE OR T MASONRY ANCHOR INTO GROUT FILLED FRAME AND BLOCK WALL UP TO 90 PSF



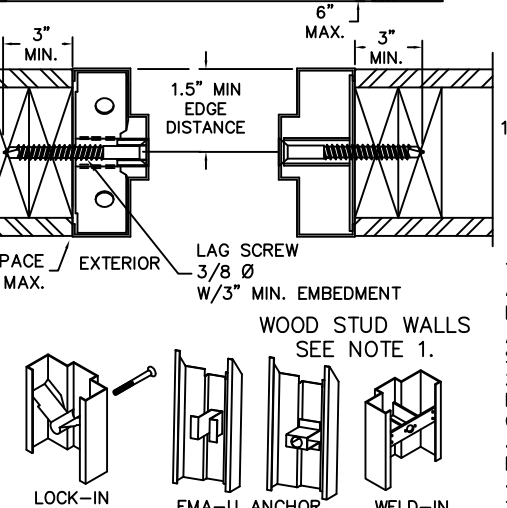
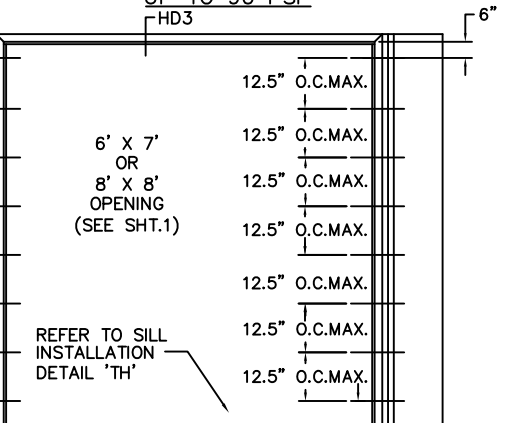
D2 EXISTING MASONRY ANCHOR (EMA) INTO CONCRETE WALL OR CMU UP TO 90 PSF



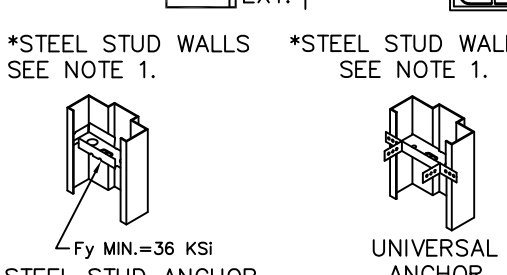
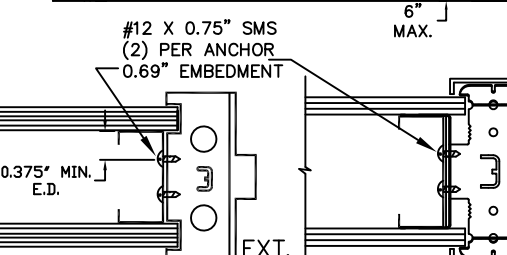
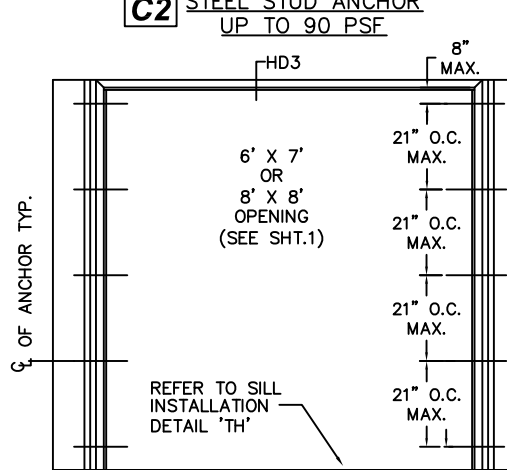
B2 WOOD STUD ANCHOR UP TO 90 PSF



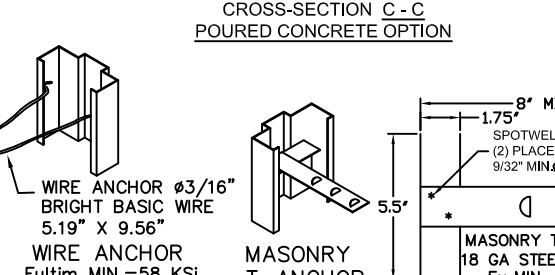
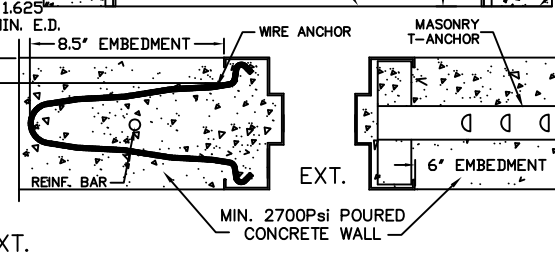
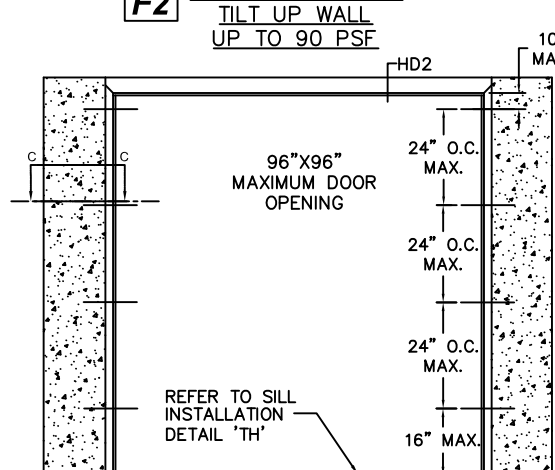
E2 EXISTING MASONRY ANCHOR (EMA) WITH LAG BOLT INTO WOOD STUD WALL UP TO 90 PSF



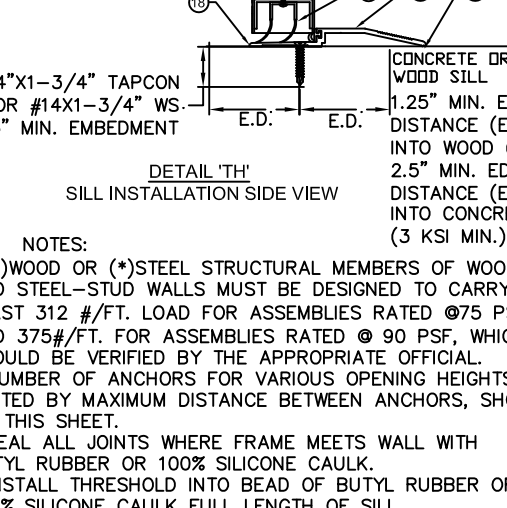
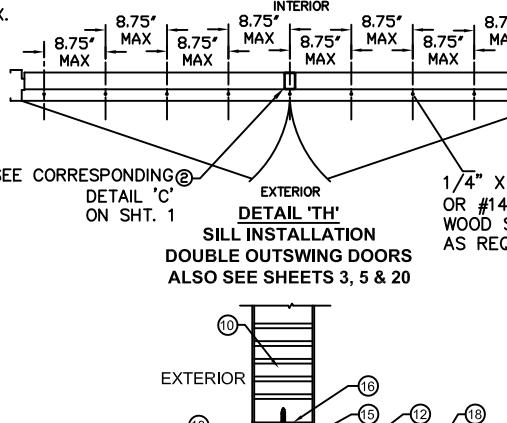
C2 STEEL STUD ANCHOR UP TO 90 PSF



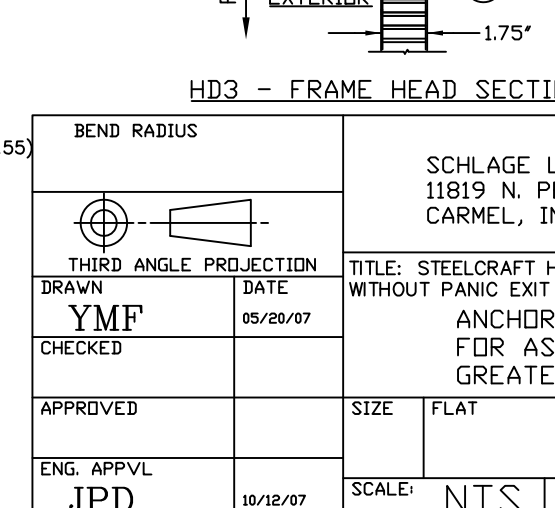
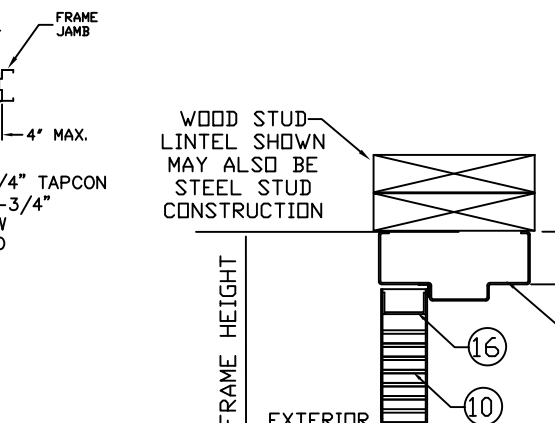
F2 POURED CONCRETE TILT UP WALL UP TO 90 PSF



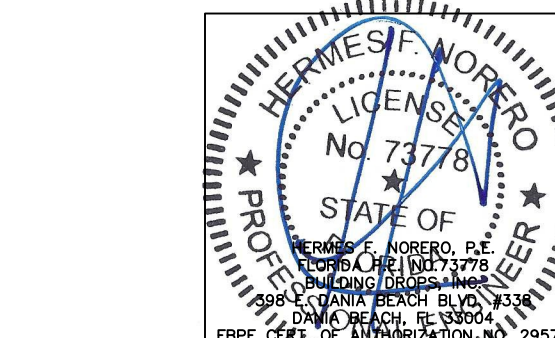
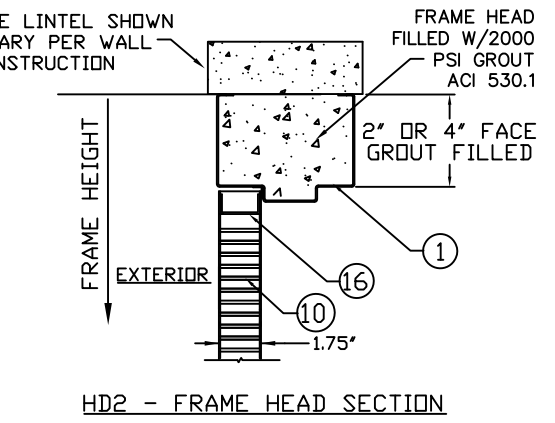
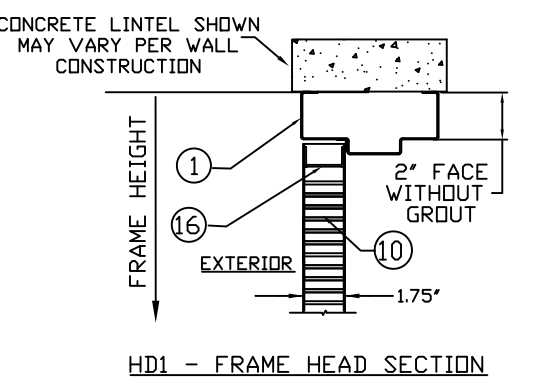
D3 EXISTING MASONRY ANCHOR (EMA) INTO CONCRETE WALL OR CMU UP TO 90 PSF



H2 EXISTING MASONRY ANCHOR (EMA) INTO CONCRETE WALL OR CMU UP TO 90 PSF



REVISIONS				
LTR	DESCRIPTION	DATE	APPROVED	
A	APPROVAL DWG	JPD	06/30/15	
B	CHANGE OF EOR	LMS	12/01/16	
M	REVISED DWG	JPD	07/18/18	



- NOTES:
- (*)WOOD OR (*)STEEL STRUCTURAL MEMBERS OF WOOD AND STEEL-STUD WALLS MUST BE DESIGNED TO CARRY AT LEAST 312 #/FT. LOAD FOR ASSEMBLIES RATED @75 PSF, AND 375#/FT. FOR ASSEMBLIES RATED @ 90 PSF, WHICH SHOULD BE VERIFIED BY THE APPROPRIATE OFFICIAL.
 - NUMBER OF ANCHORS FOR VARIOUS OPENING HEIGHTS IS LIMITED BY MAXIMUM DISTANCE BETWEEN ANCHORS, SHOWN ON THIS SHEET.
 - SEAL ALL JOINTS WHERE FRAME MEETS WALL WITH BUTYL RUBBER OR 100% SILICONE CAULK.
 - INSTALL THRESHOLD INTO BEAD OF BUTYL RUBBER OR 100% SILICONE CAULK FULL LENGTH OF SILL

BEND RADIUS	SCHLAGE LOCK COMPANY, LLC 11819 N. PENNSYLVANIA STREET CARMEL, IN 46032		
THIRD ANGLE PROJECTION	TITLE: STEELCRAFT H SERIES DOUBLE OUTSWING GLAZED COMMERCIAL STEEL DOORS WITH AND WITHOUT PANIC EXIT DEVICES		
DRAWN YMF	DATE 05/20/07	ANCHOR DETAILS / INSTALLATION CONDITIONS FOR ASSEMBLIES WITH A DESIGN PRESSURE RATING GREATER THAN 75 PSF UP TO AND INCLUDING 90 PSF	
CHECKED		SIZE FLAT	DWG NO. IRGD07
APPROVED			REV M
ENG. APPVL JPD	10/12/07	SCALE: NTS	AUTOCAD SHEET 20 OF 20